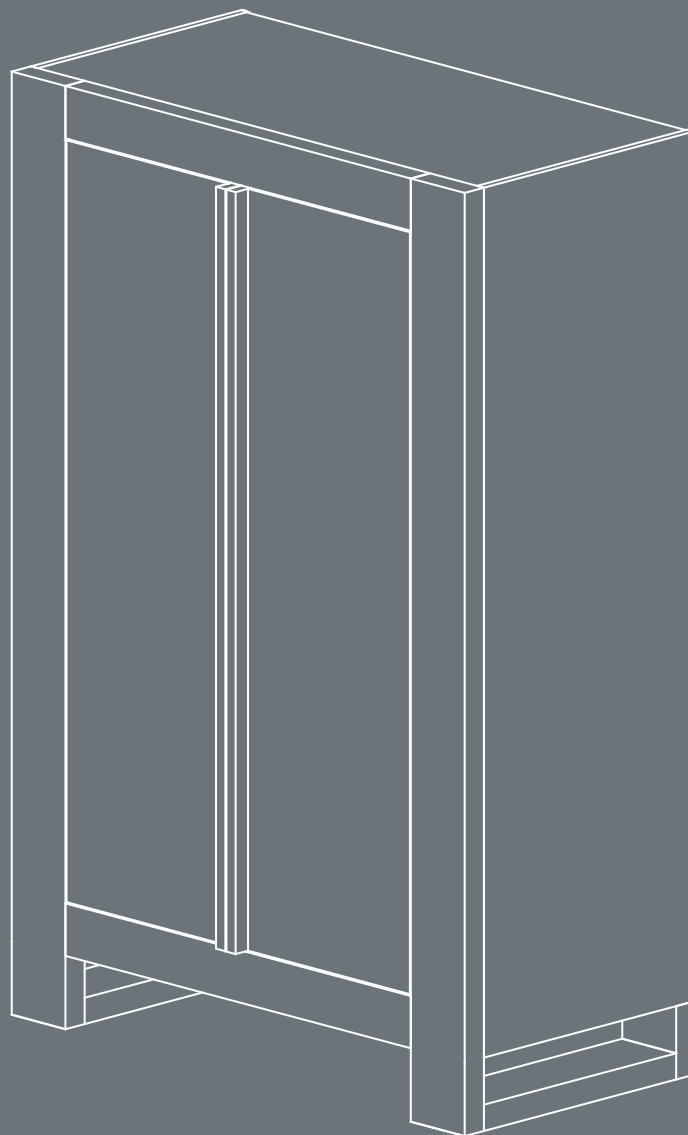


Rimini

Wardrobe



Assembly Instructions

Conforms to BS EN 14749 : 2005

Tutti Frutti Direct Ltd. Unit 3, 1000 North Circular Road, London, UK, NW2 7JP

t: +44 (0) 208 368 5800

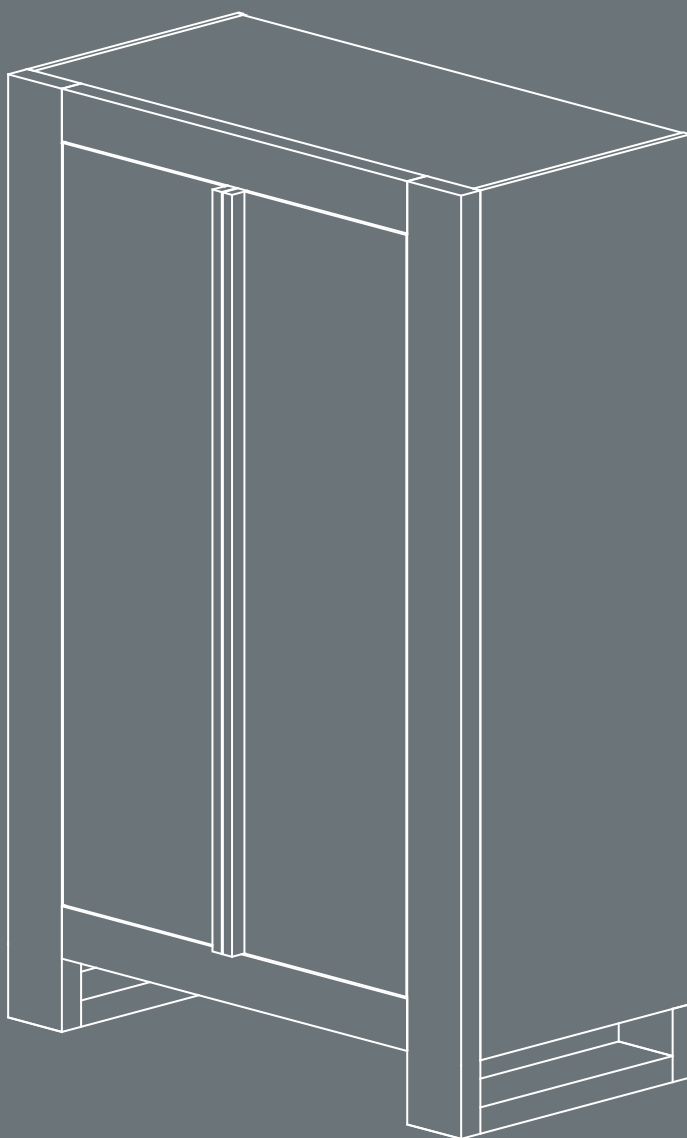
e: customerservice@tuttibambini.co.uk

www.tuttibambini.com

Rimini

Wardrobe

211352



IMPORTANT: RETAIN FOR FUTURE REFERENCE,
READ CAREFULLY

Hello,

PLEASE READ THIS LEAFLET BEFORE ASSEMBLY

Dear Customer,

Thank you for buying Tutti Bambini furniture. Follow the instructions carefully and check that you have all the elements including the fittings before attempting assembly. If there are any missing or damaged parts, please inform us before you start the assembly. Please note that incorrect assembly of your furniture will not be a basis for a claim against the product being damaged.

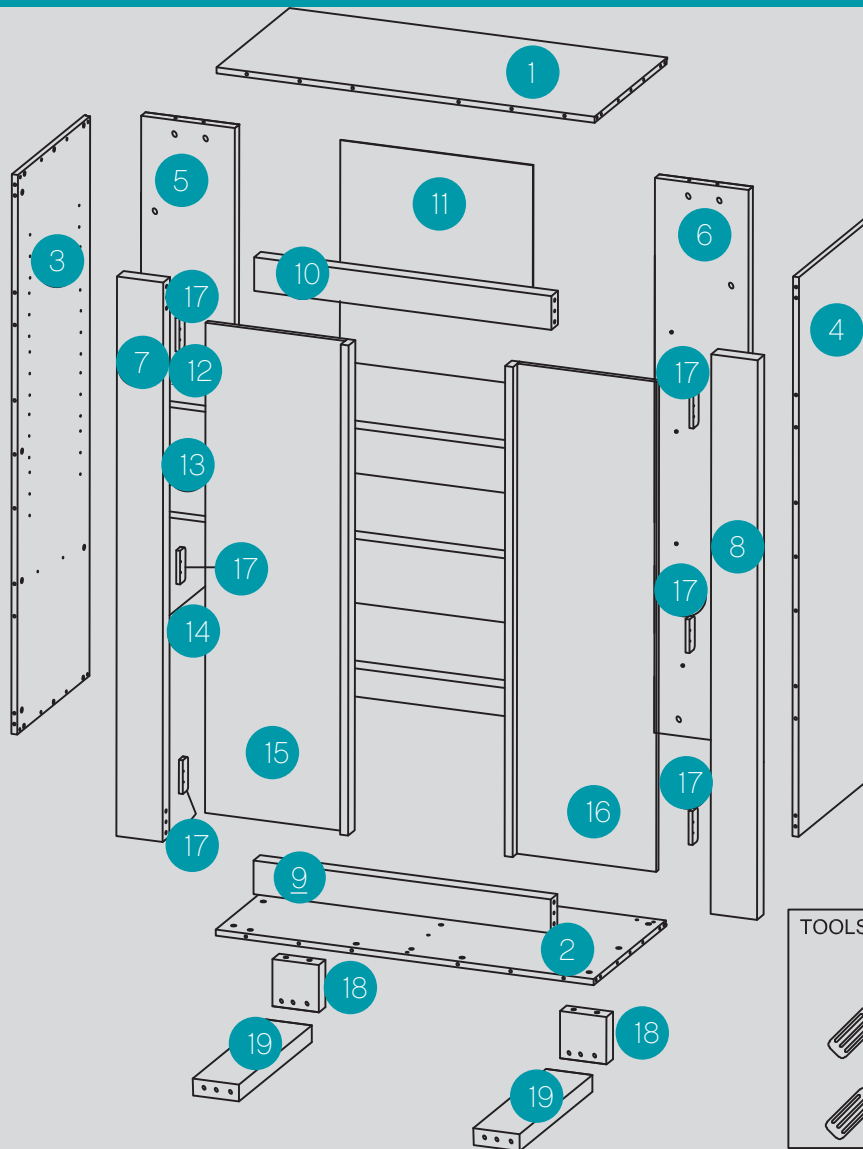
In the unlikely event that your furniture is found to be faulty, we ask that you send an email to: customerservice@tuttibambini.co.uk with the following information that can be found on the white label on the outside parcel.

- Name
- Postcode
- Contact telephone number
- Sales order number (found on white label)
 - Product name & colour
 - Damaged part number
- A photo or video of the damaged part

Tutti Bambini guarantee your product against faulty manufacture for a period of 12 months from date of receipt of purchase. This does not affect your statutory rights

Team Tutti

Parts List



Hardware list

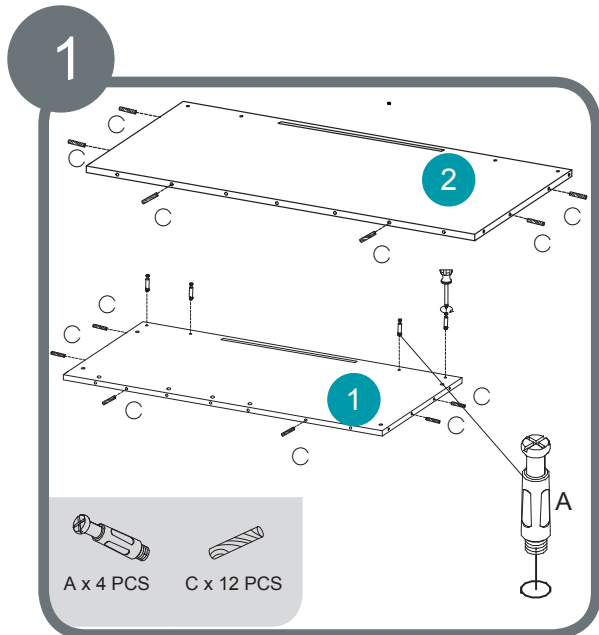
ID#	1pc for replacement Pins Ø6x36mm	Qty 58 pc
ID#	1pc for replacement Cambs Ø15x10mm	Qty 58 pc
ID#	Dowels M7.8x30mm	Qty 40 pc
ID#	Shelf supports	Qty 8 pc
ID#	Screws M3.5x14mm	Qty 41 pc
ID#	Screws M4x35mm	Qty 13 pc
ID#	Hings	Qty 6 pc

ID#	Corner support 15x10mm	Qty 4 pc
ID#	Bolts M6x20mm	Qty 4 pc
ID#	Hanging rail support	Qty 2 pc
ID#	LED power supply box	Qty 1 pc
ID#	LED hanging rail	Qty 1 pc
ID#	Screw for LED box M3x14mm	Qty 3 pc
ID#	Wall plug for screw	Qty 1 pc

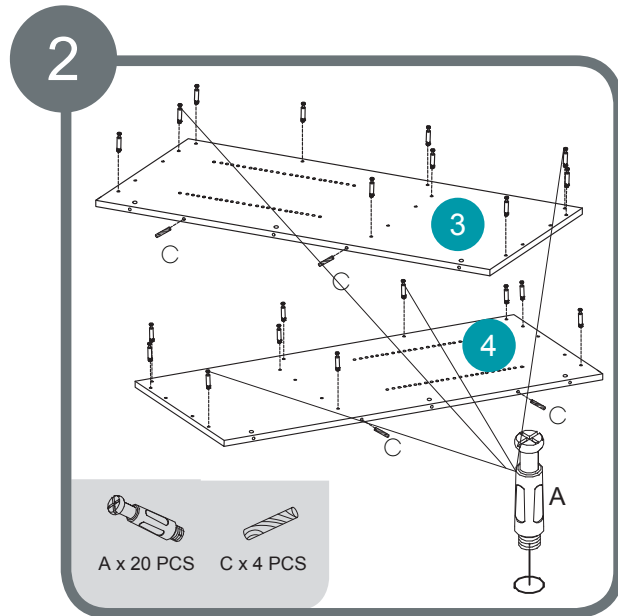
ID#	Safety belt	Qty 1 pc
ID#	Hanging rail ends	Qty 1 pc
ID#	Stickers	Qty 52 pc
ID#	Allen key M4	Qty 1 pc
ID#	Washer for safety belt	Qty 1 pc
ID#	Curly screws M6x27mm	Qty 4 pc



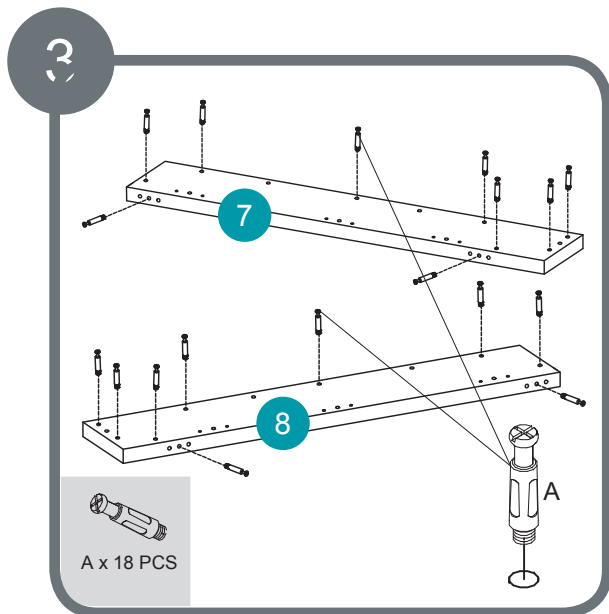
Assembling into wardrobe



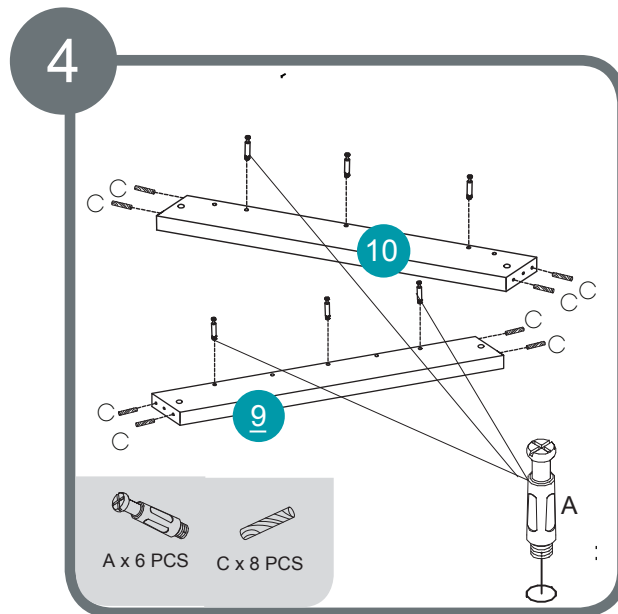
Screw metal dowels into top.
wooden dowels into top and bottom.



Screw metal dowels into side.
wooden dowels into side.

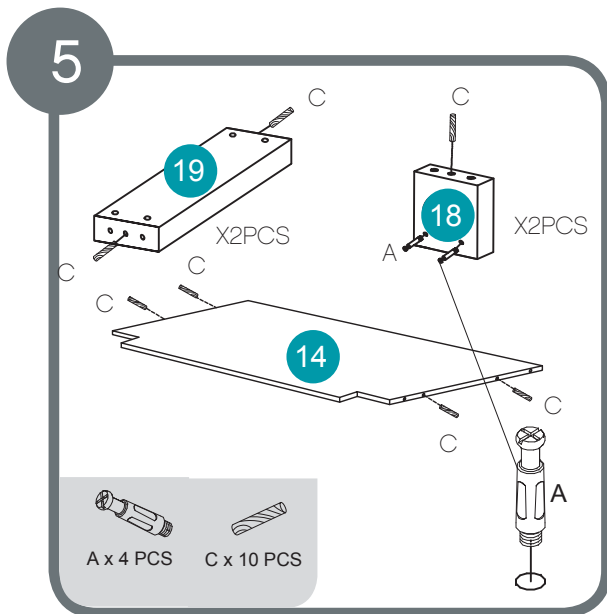


Screw metal dowels into long rail.

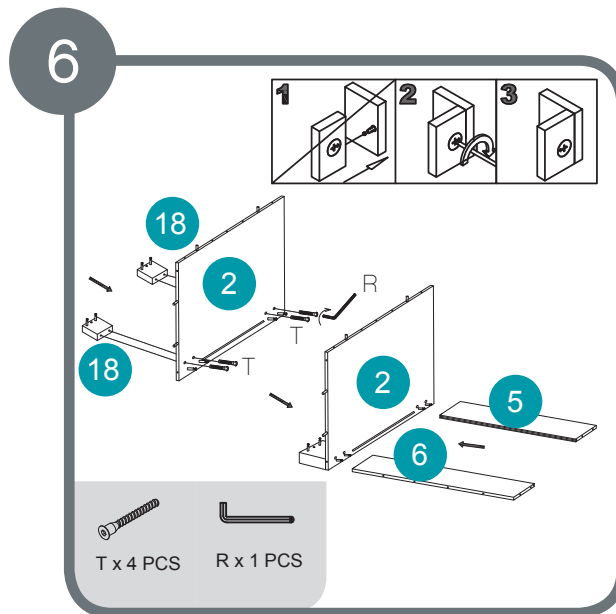


Screw metal dowels and wooden dowels
into short rail.

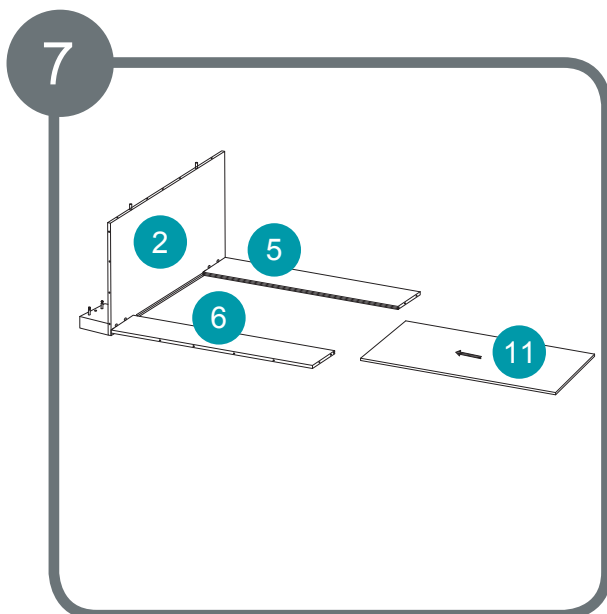
Assembling into wardrobe



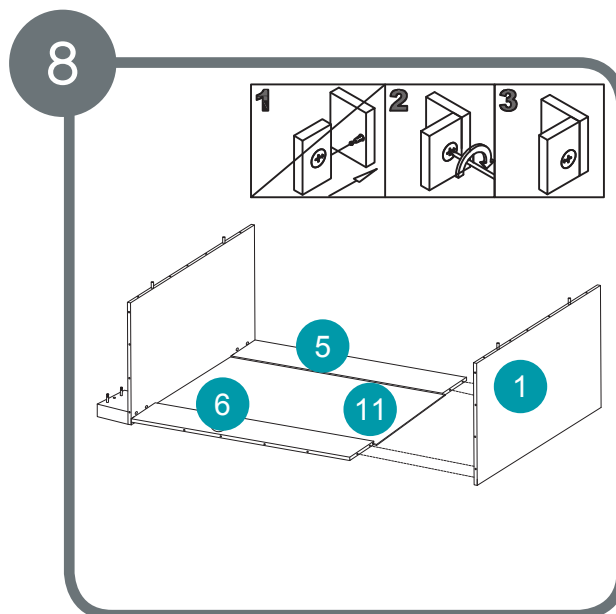
Screw metal dowels into short blocks.
Wooden dowels into long blocks and shelf.



Assblem bottom to blocks using 4 x cuely screws.
Assblem back rail to bottom.



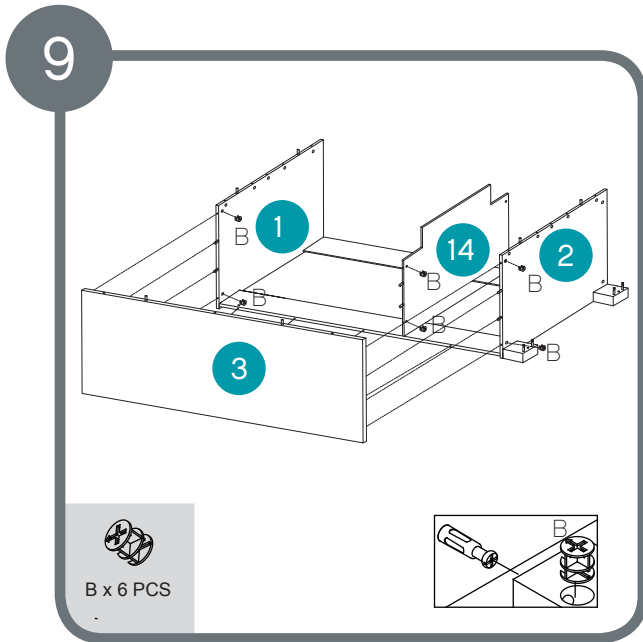
Attach back panel to the back rail and bottom.



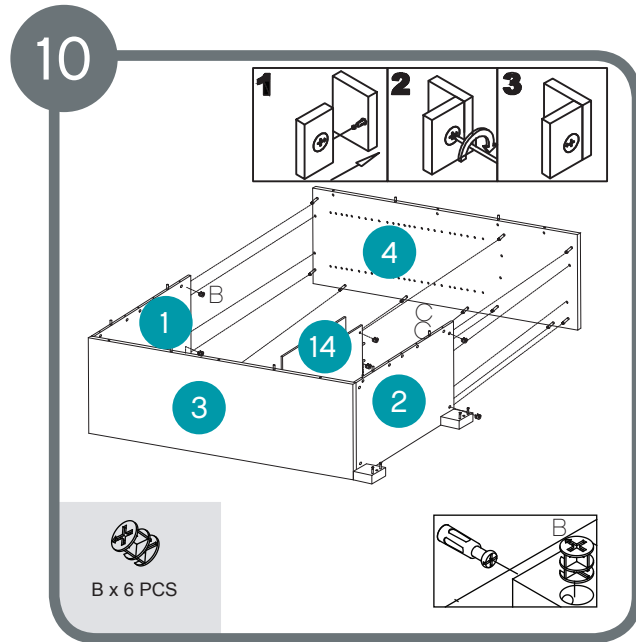
Attach the top panel to the back rail and back panel.



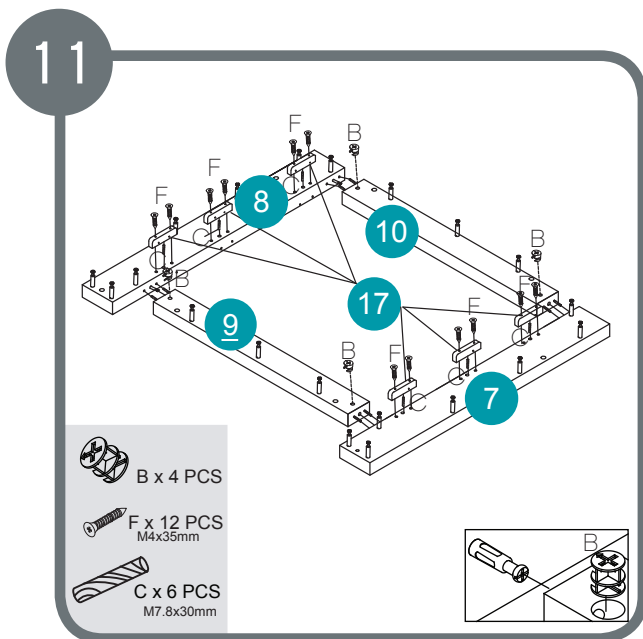
Assembling into wardrobe



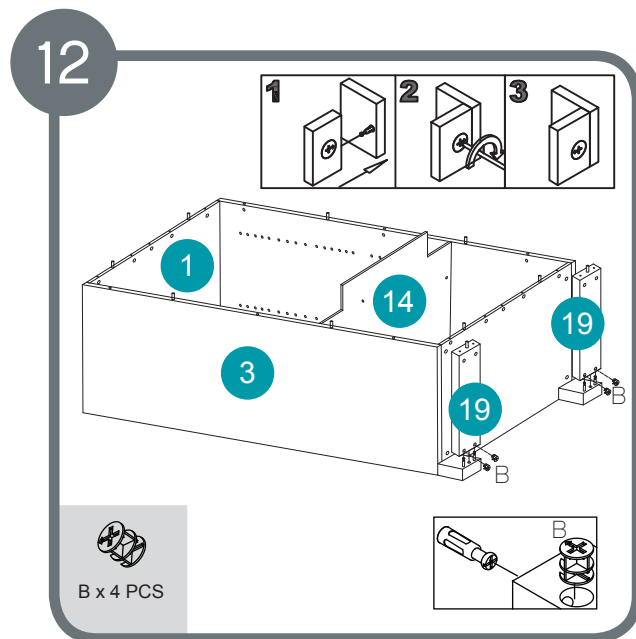
Assemble left panel use 6 x B locking nuts



Assemble right panel use 6 x B locking nuts

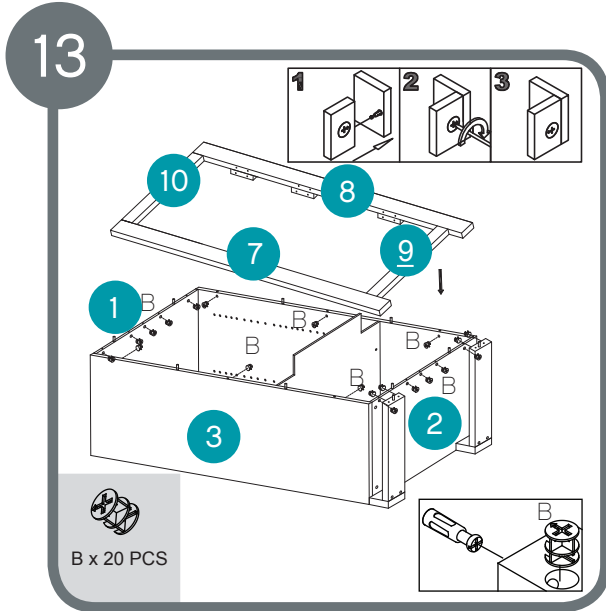


Assemble long rail and short rail use 4 x B locking nuts
Assemble small block use 12 x locking nut and 6 x C wooden dowels

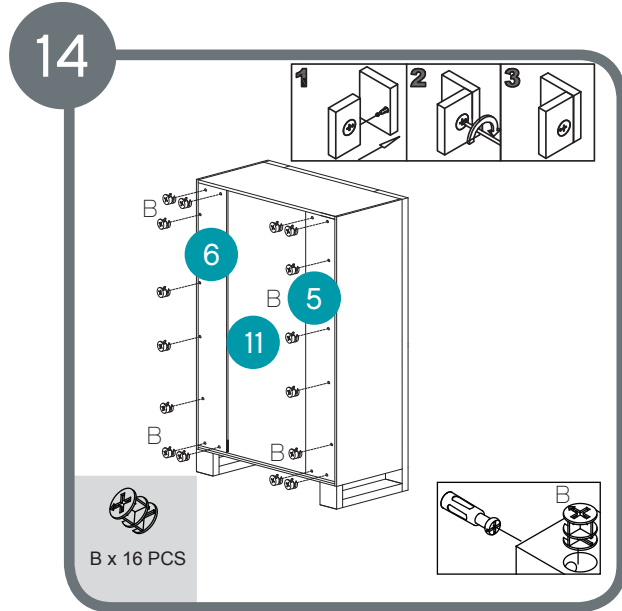


Assemble long block to short blocks using 4 x B locking nuts

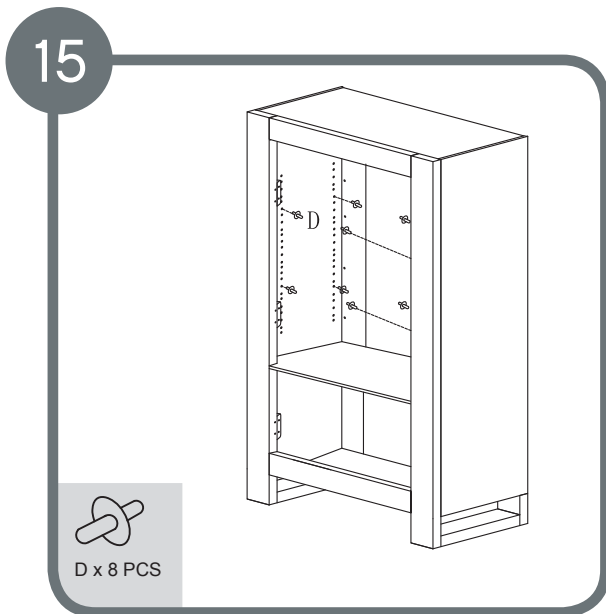
Assembling into wardrobe



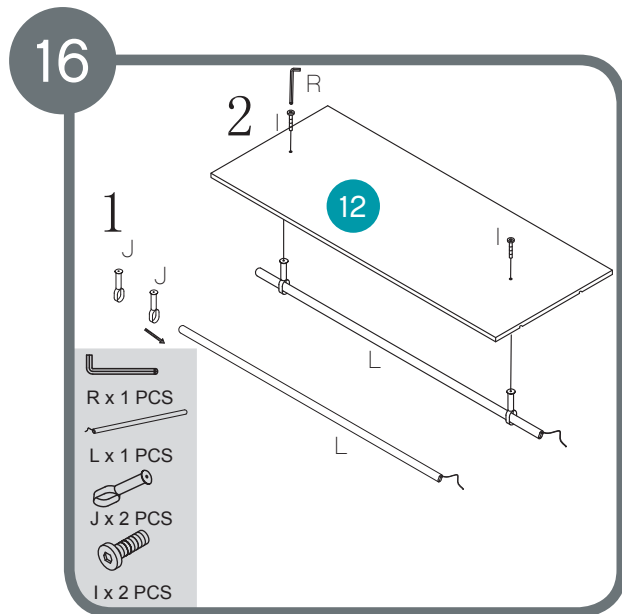
Connect rail to the frame using 20 x B locking nuts



Assemble two back rail to the frame using 16 x B locking nuts



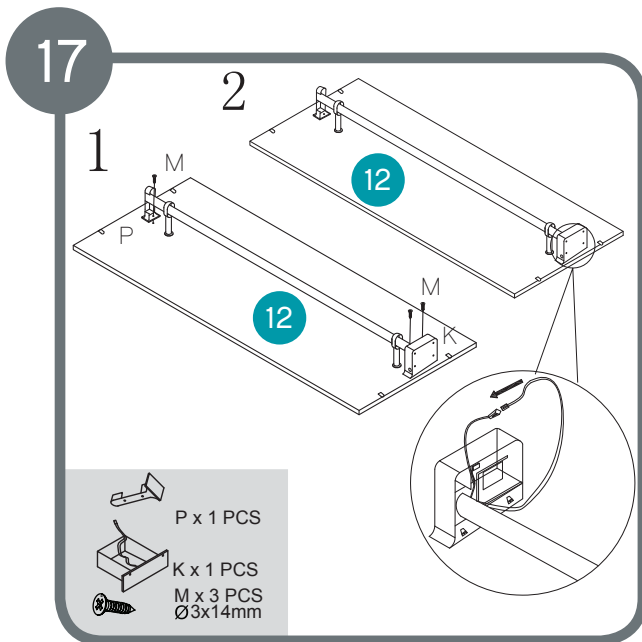
Attach shelf supports D to the side



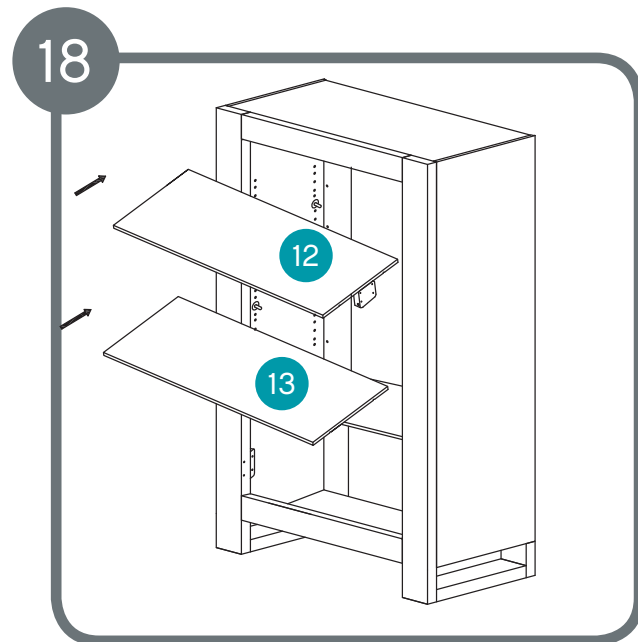
Attach hanging rail supports J to the led hanging rail L .then assemble to the shelf using 2 x I screws



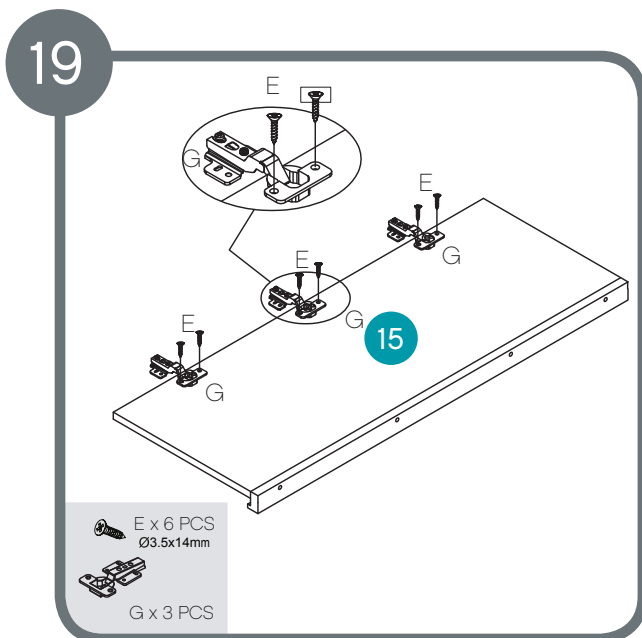
Assembling into wardrobe



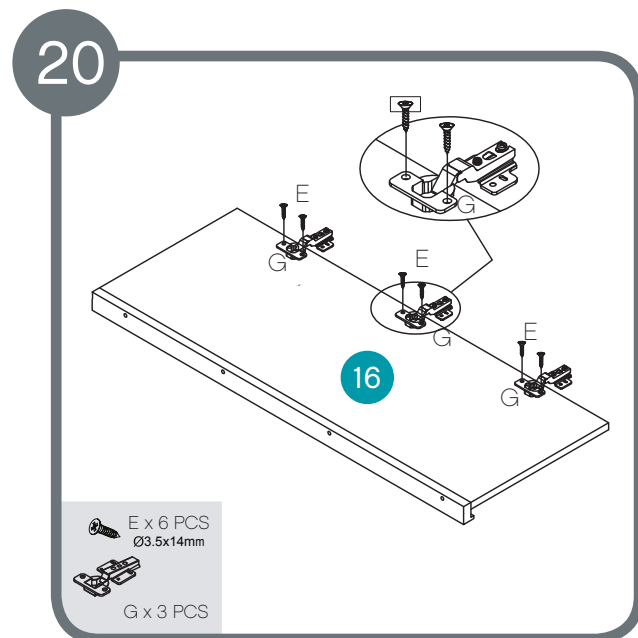
Assemble led hanging rail to the shelf using screws M, hanging rail ends P and led power supply box K



Put the shelf on the shelf support

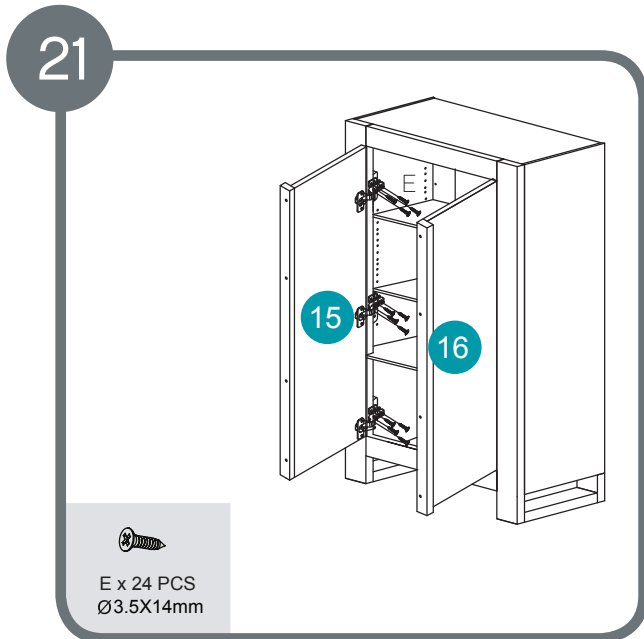


Attach door hinges G to the left doors using 6 x E screws.

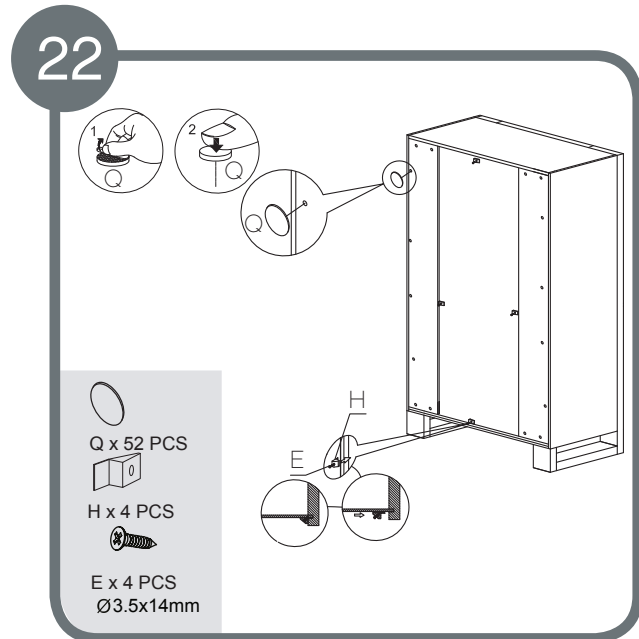


Attach door hinges G to the right doors using 6 x E screws.

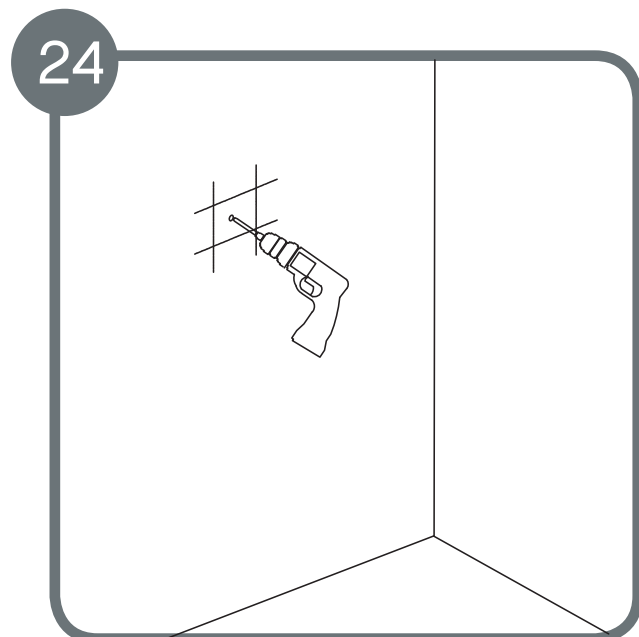
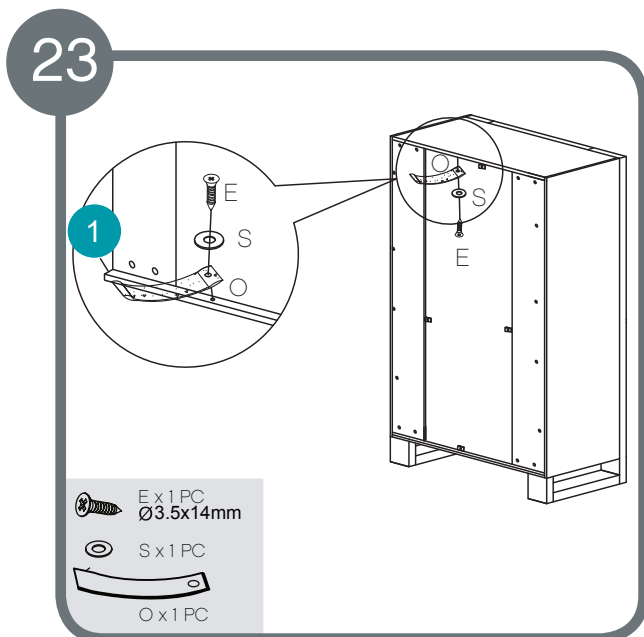
Assembling into wardrobe



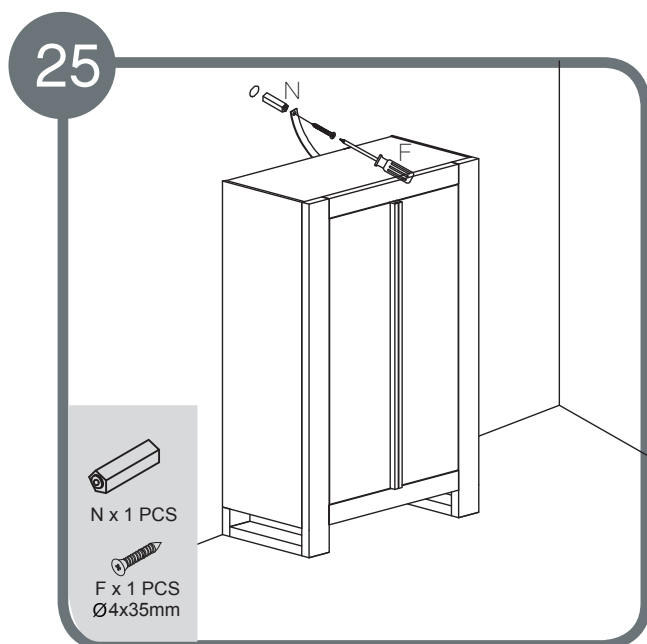
Attach two doors to side using
24 x E screws



Assemble corner supports to the panel
using 14 x E screws, then stick stickers Q
on the lock nuts



Assembling into wardrobe



FINAL ADJUSTMENTS

1.LEVELING WARDROBE:

IF THE WARDROBE IS NOT STANDING AT RIGHT ANGLES, YOU WILL HAVE TO PUSH A WEDGE OR A SHEET OF PAPER PLIED IN THE DESIREABLE THICKNESS UNDER THE LEG.

2.MAKING DOORS STRAIGHT:

ADJUST THE DOOR ON THE RIGHT DEPTH USING THE MIDDLE HINGE,

3.ADJUSTING HEIGHT OF DOORS:

SLIDE HIGHE MOUNTING PLATE UP OR DOWN TO THE DESIRED LEVEL.

4.ADJUSTING SPACE OF DOORS:

SCREW/UNSCREW MIDDLE SCREW ON THE HINGE TO THE APPROPRIATE SPACE LEVEL.

Safety advice and maintenance

IMPORTANT! KEEP FOR FUTURE REFERENCE: READ CAREFULLY

1. WARNING: Never leave your child unattended. The safety of your child is your responsibility.
2. WARNING: Do not allow children to climb on or in the wardrobe..
3. WARNING: Make sure the wardrobe is situated on a clear firm and level surface.
4. WARNING: Do not use the wardrobe if it is damaged or broken or there are parts missing. Use only spare parts approved by Tutti Bambini.
5. WARNING: Do not place the wardrobe in or near the vicinity of open fires or other surfaces of strong heat, such as gas or electric fires.
6. The wardrobe can be cleaned with a clean damp cloth. Do not use aggressive cleaning agents such as bleach or strong detergents.
7. Check on a regular basis that all fittings and screws are correctly tightened and are not damaged. Loose screws can pinch parts of the body and clothing resulting in the risk of strangulation.
8. Do not twist or pivot the wardrobe, if the wardrobe is to be moved always lift with at least two people.

Product development dictates that components may occasionally differ from the ones shown in the diagrams of these instructions. The right to change the specifications and design of the furniture without prior notice remains with the manufacturer.

Guarantee

All our products are produced from the finest quality materials and are manufactured under the strictest quality controls. We guarantee all our products or parts thereof against faulty manufacture for a period of one year from date of purchase. This guarantee is not effective against accidental damage or damage caused by incorrect use or neglect. This does not affect your statutory rights.

Join Us



Follow us on Facebook
TuttiBambiniUK



Follow us on Twitter
TuttiBambiniUK



Follow us on Instagram
TuttiBambiniUK



www.tuttibambini.com