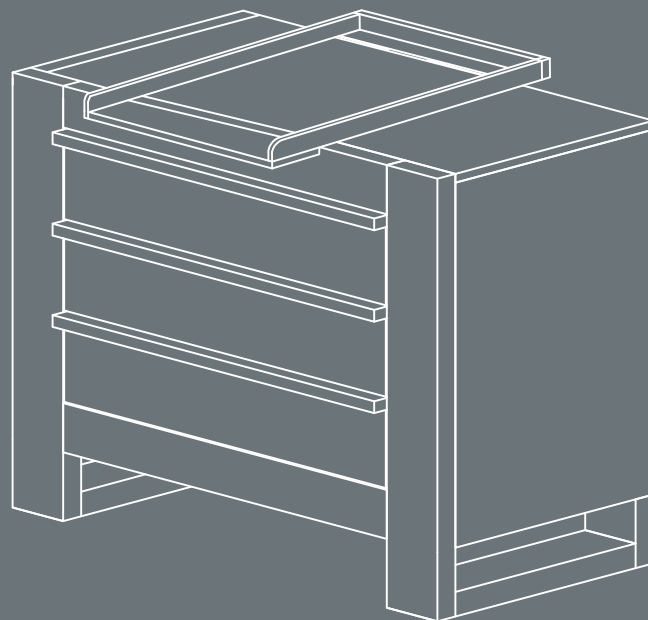
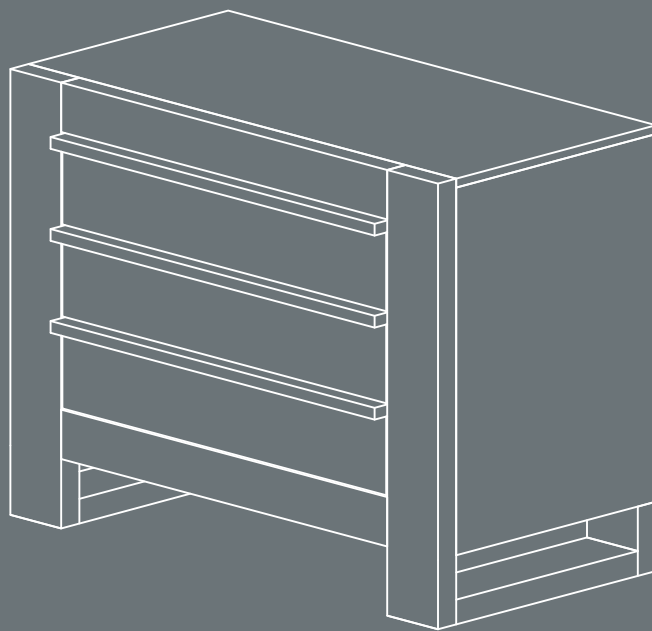


# Rimini

## Chest Changer



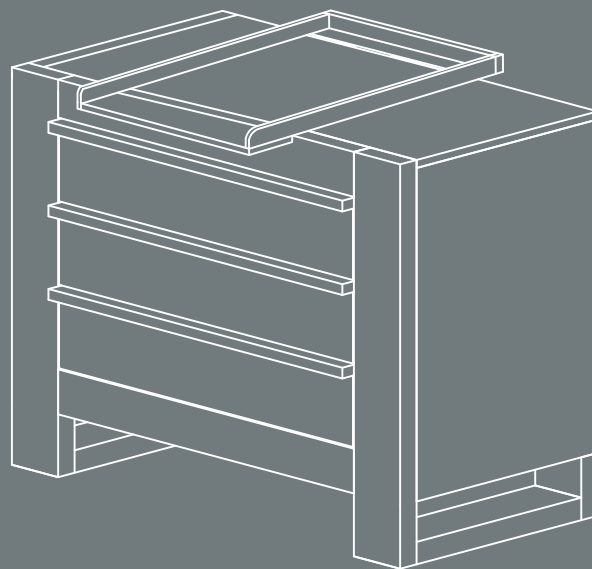
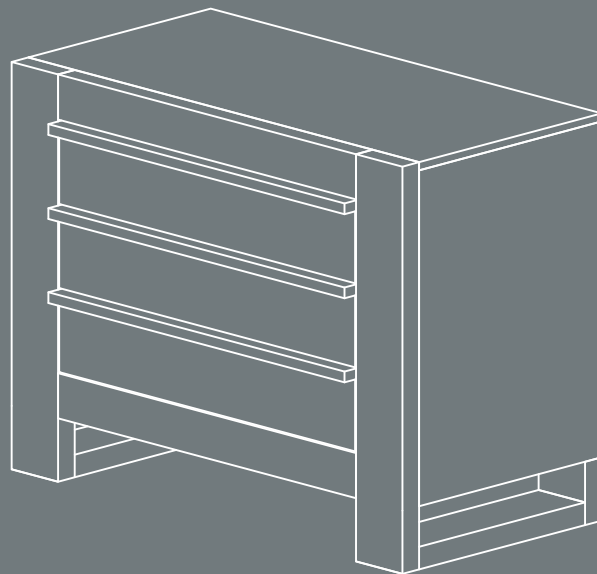
# Assembly Instructions

Conforms to BS EN 716-1&2:2008 and BS8509+A12011  
Tutti Frutti Direct Ltd. Unit 3, 1000 North Circular Road, London, UK, NW2 7JP  
t: + 44 (0) 208 368 5800  
e: customerservice@tuttibambini.co.uk  
www.tuttibambini.com

# Rimini

## Chest Changer

211452



IMPORTANT: RETAIN FOR FUTURE REFERENCE,  
READ CAREFULLY

# Hello,

## PLEASE READ THIS LEAFLET BEFORE ASSEMBLY

Dear Customer,

Thankyou for buying Tutti Bambini furniture. Follow the instructions carefully and check that you have all the elements including the fittings before attempting assembly. If there are any missing or damaged parts, please inform us before you start the assembly. Please note that incorrect assembly of your furniture will not be a basis for a claim against the product being damaged.

In the unlikely event that your furniture is found to be faulty, we ask that you send an email to: [customerservice@tuttibambini.co.uk](mailto:customerservice@tuttibambini.co.uk) with the following information that can be found on the white label on the outside parcel.

- Name
- Postcode
- Contact telephone number
- Sales order number (found on white label)
  - Product name & colour
  - Damaged part number
- A photo or video of the damaged part

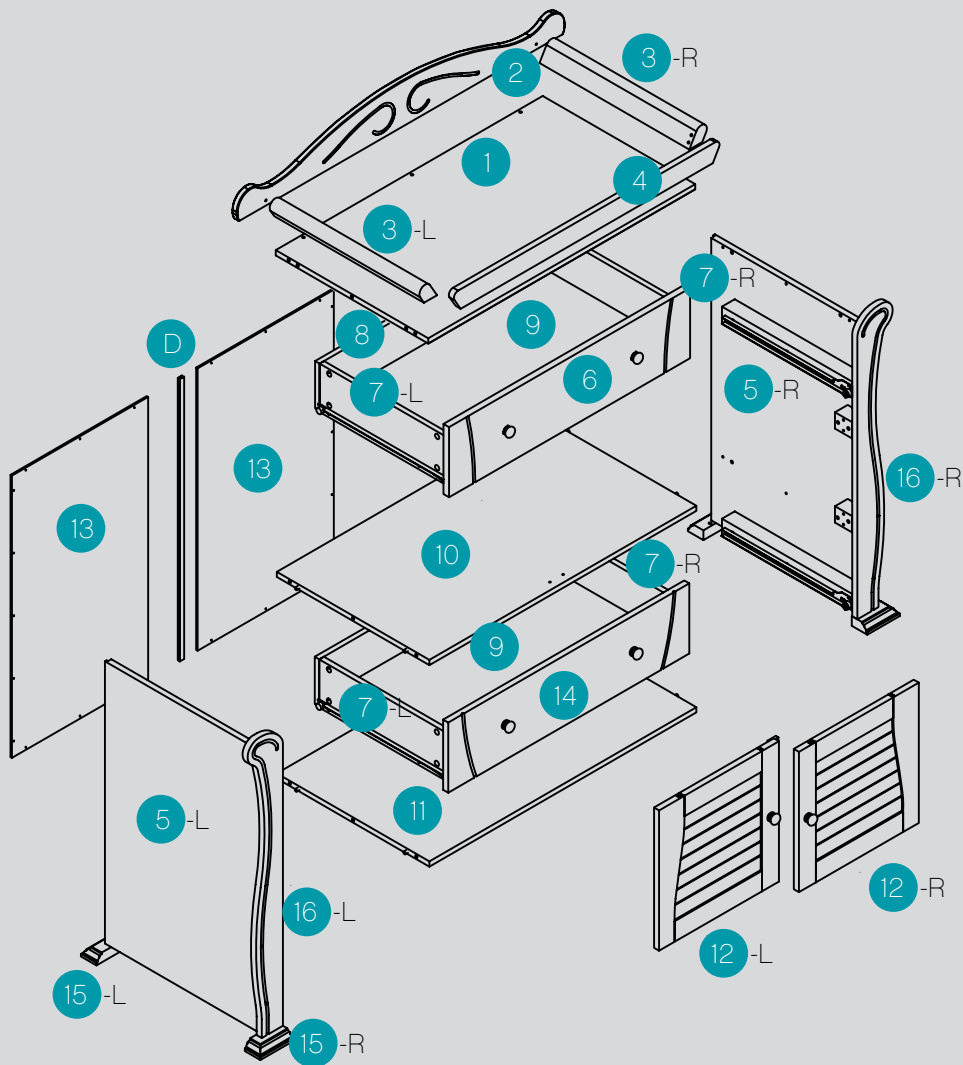
Tutti Bambini guarantee your product against faulty manufacture for a period of 12 months from date of receipt of purchase. This does not affect your statutory rights.

*Team Tutti*

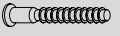











[www.tuttibambini.com](http://www.tuttibambini.com)

# Parts List



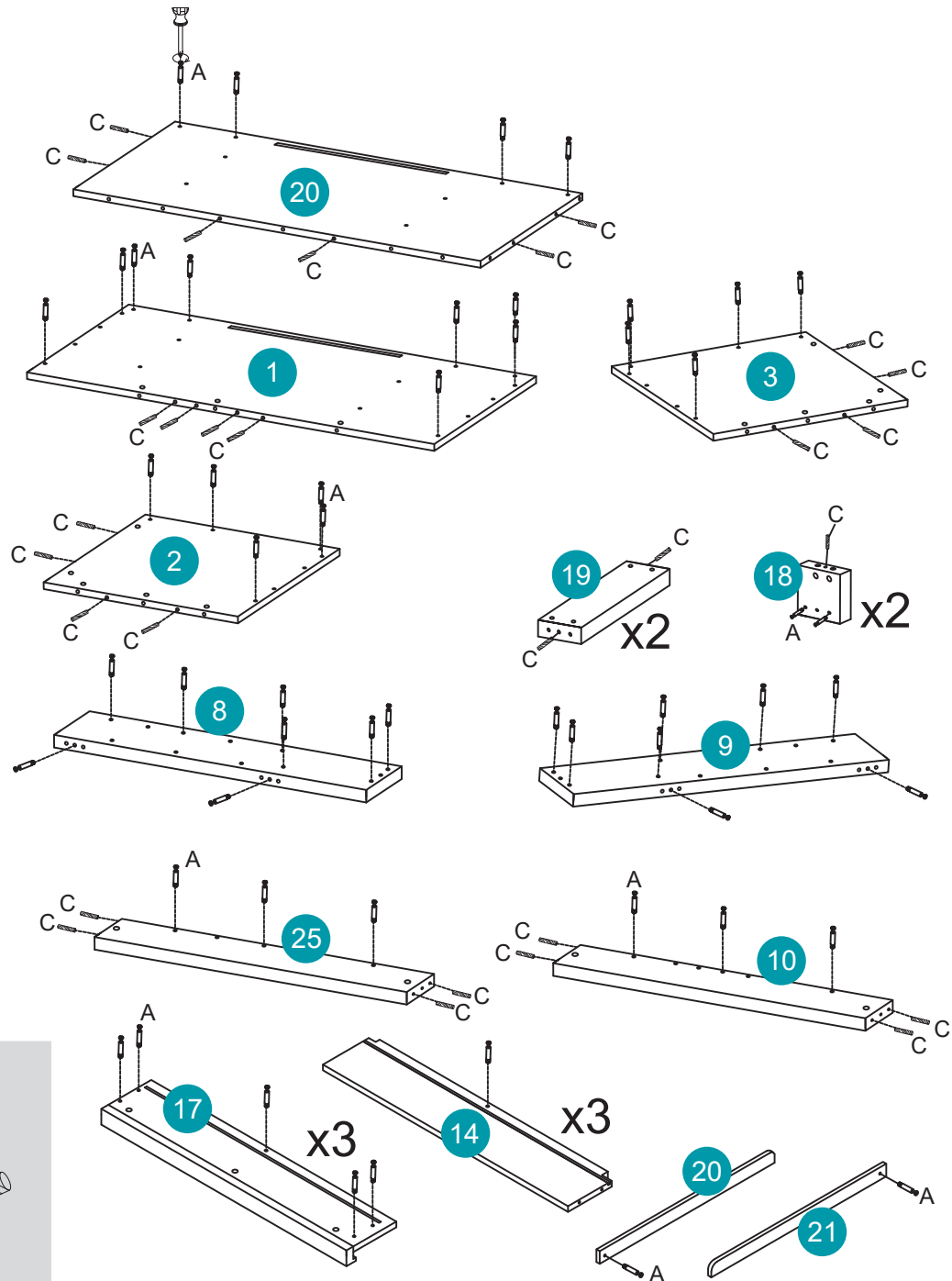
## Hardware list

ID#		Qty
A	Bolts M7x40mm	12 pc
ID#		Qty
B	There is 1 pc for replacment	47 pc
ID#		Qty
C	There is 1 pc for replacment	47 pc
ID#		Qty
D	Plastic Channel 5mm	1 pc
ID#		Qty
E	Screws M3x16mm	27 pc
ID#		Qty
F	Hinge	4 sets
ID#		Qty
G	M4x22 D30 Wood Handle	6 pc
ID#		Qty
H	Magnetic Catches	1 pc
ID#		Qty
I	M6x35mm	2 pc
ID#		Qty
J	Allen Key	1 pc



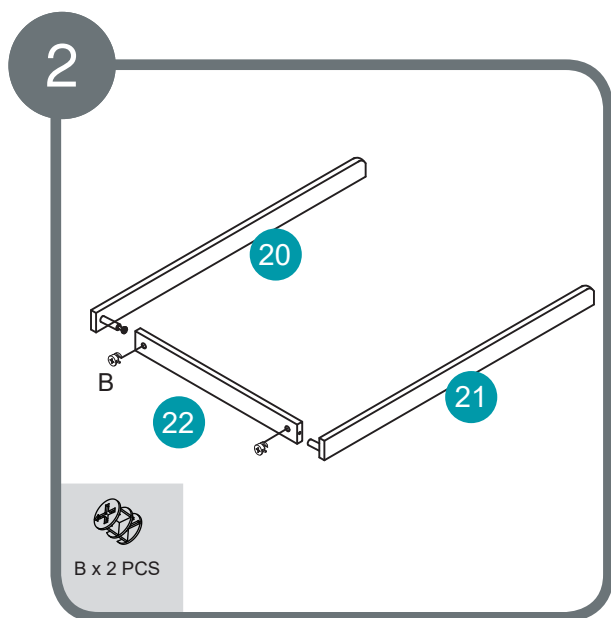
# Assembling into chest

1

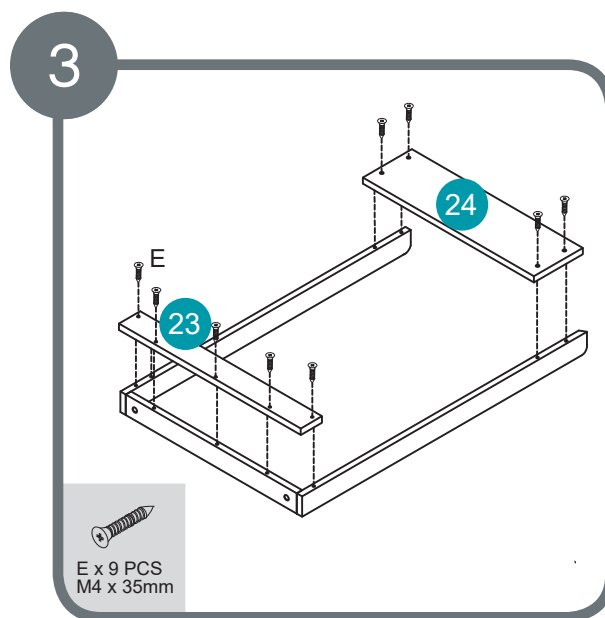


Assemble metal dowels A x 68. Assemble wood dowel C x 32.

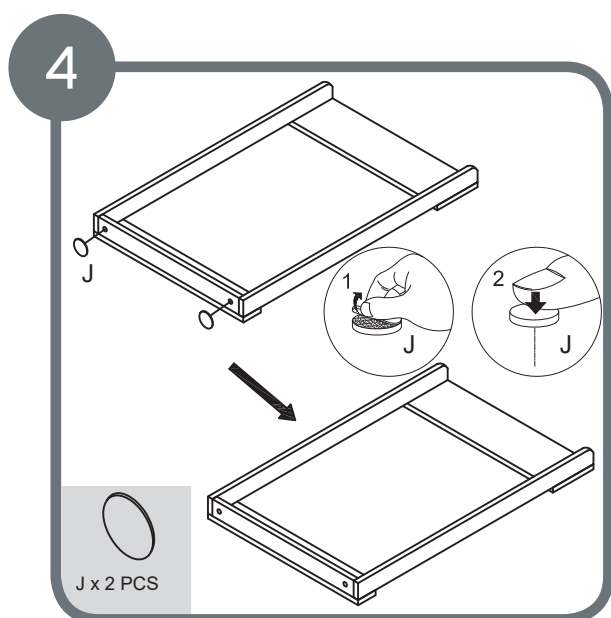
# Assembling into chest



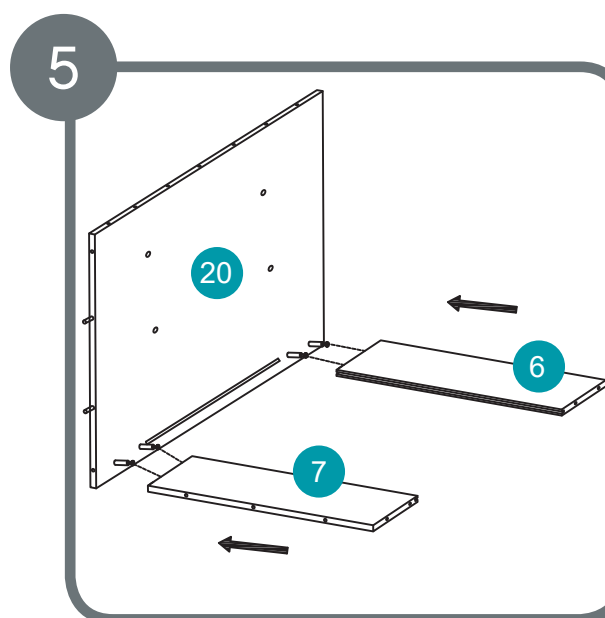
Assemble locking nuts 2 x B.



Assemble screw 9 x E.



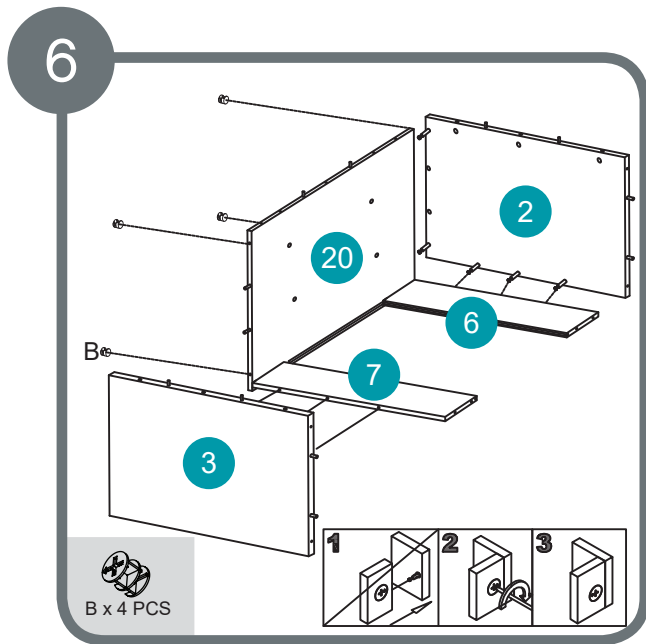
Assemble covers 2 x J.



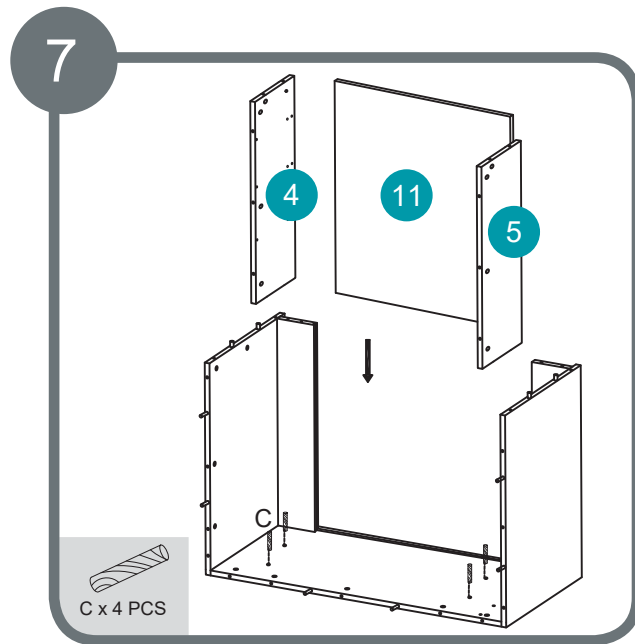
Assemble back rails to bottom.



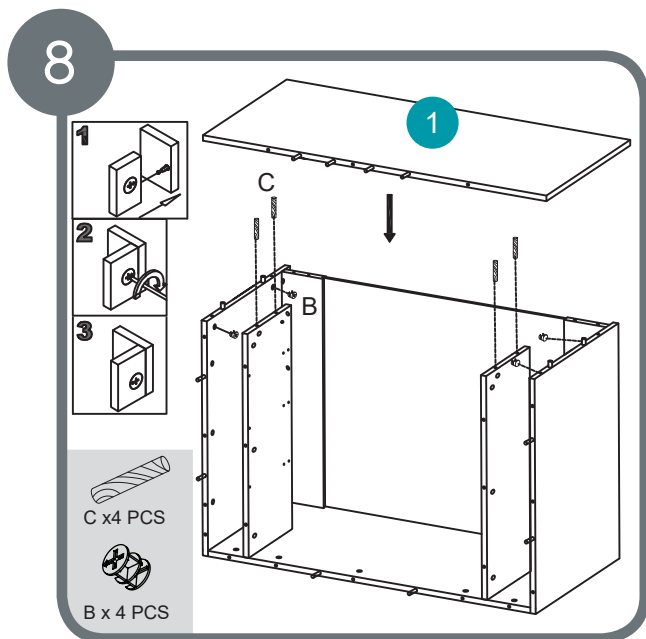
# Assembling into chest



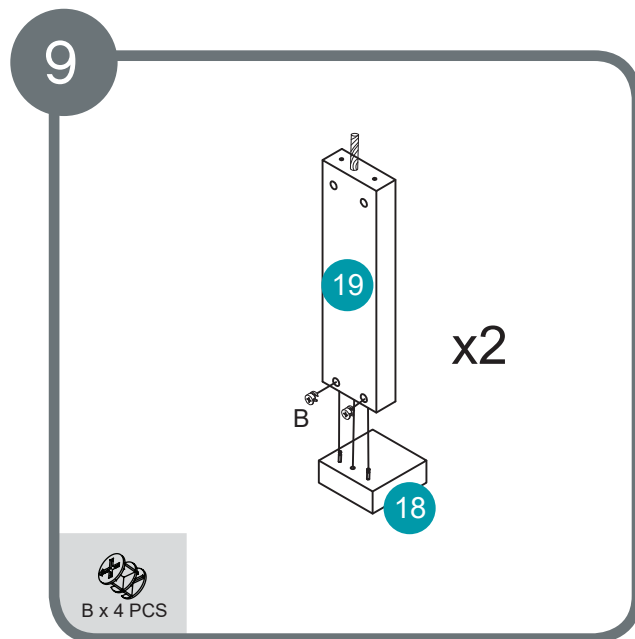
Assemble locking nuts 4 x B.



Assemble dowels 4 x C.

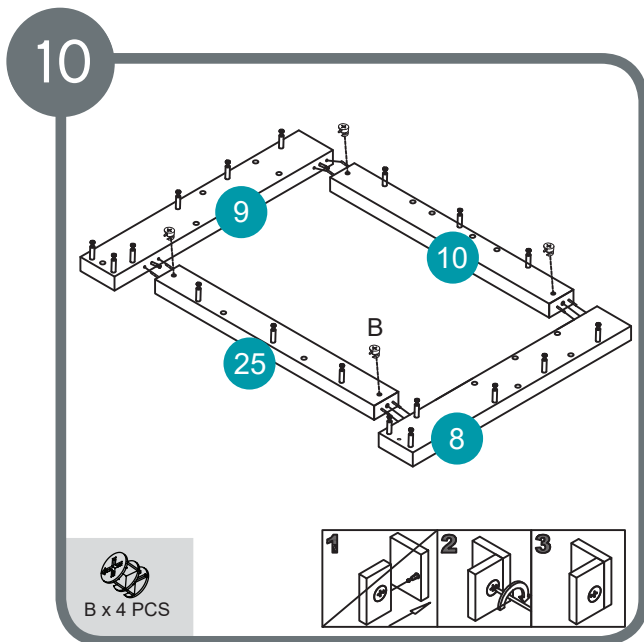


Assemble dowels 4 x C and locking nuts 4 x B.

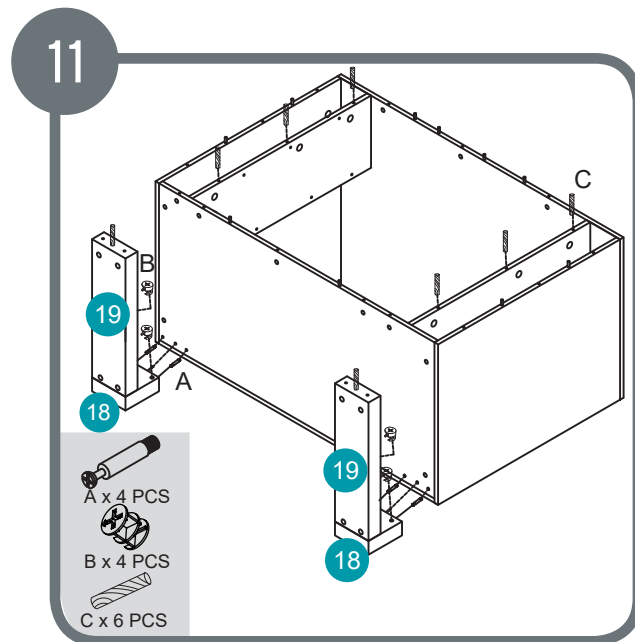


Assemble locking nuts 4 x B.

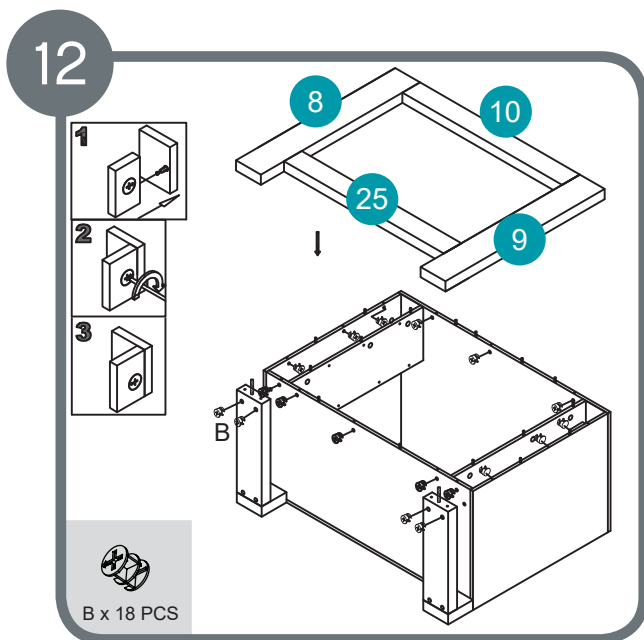
# Assembling into chest



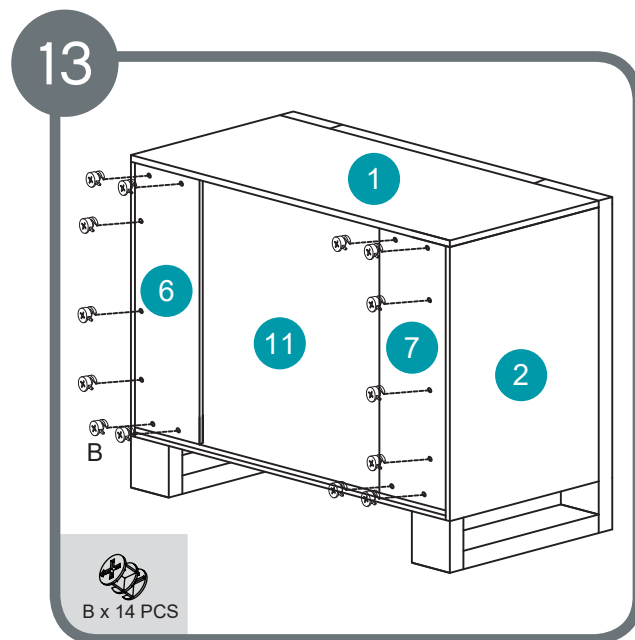
Assemble locking nuts 4 x B.



Assemble metal screws 4 x A, dowels 4 x C and locking nuts 4 x B.



Assemble locking nuts 18 x B.

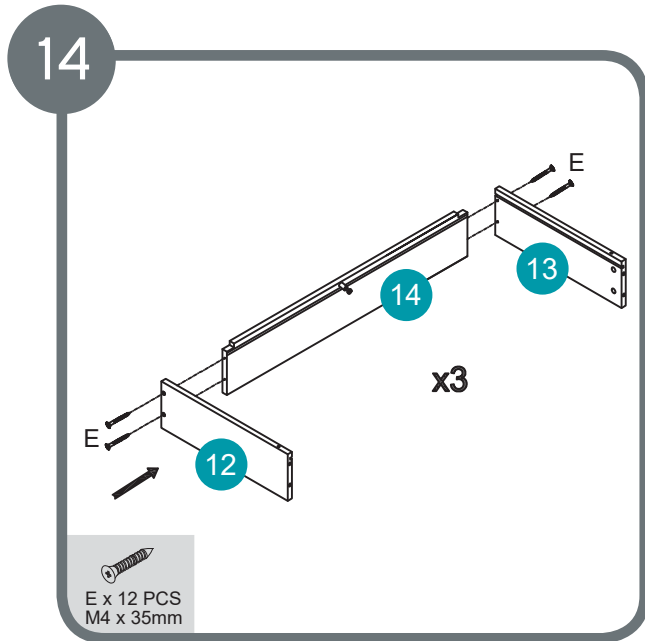


Assemble locking nuts 14 x B.

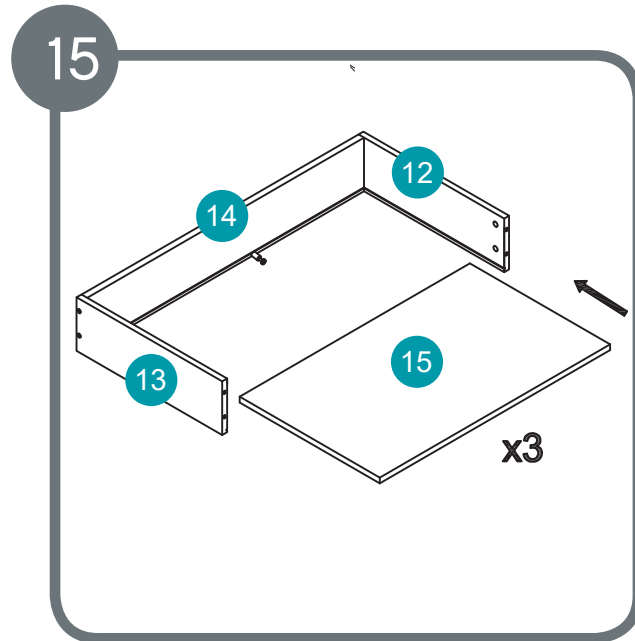




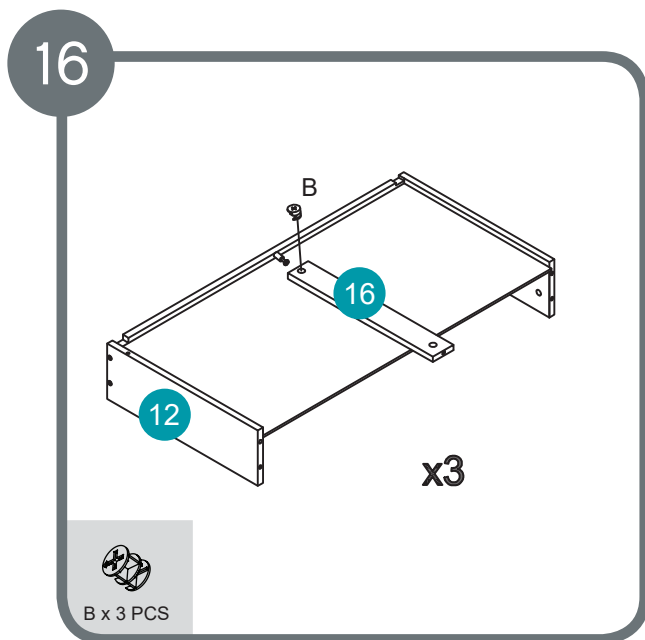
# Assembling into chest



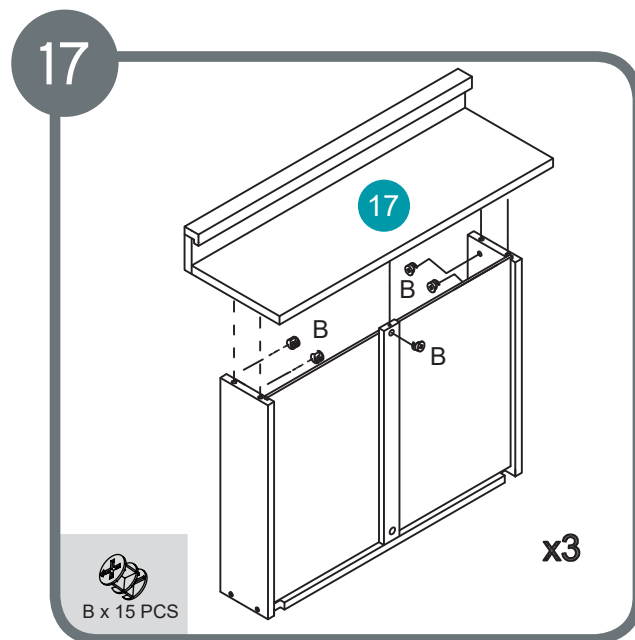
Assemble screws 12 x E.



Assemble drawer bottom.

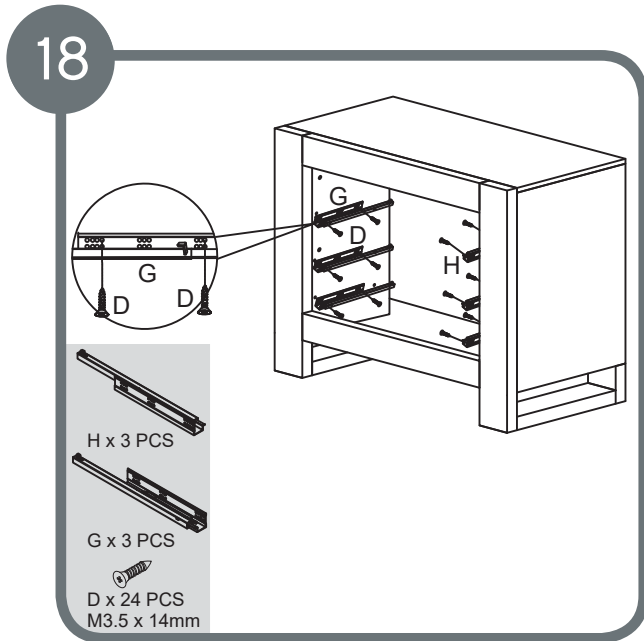


Assemble locking nuts 3 x B.

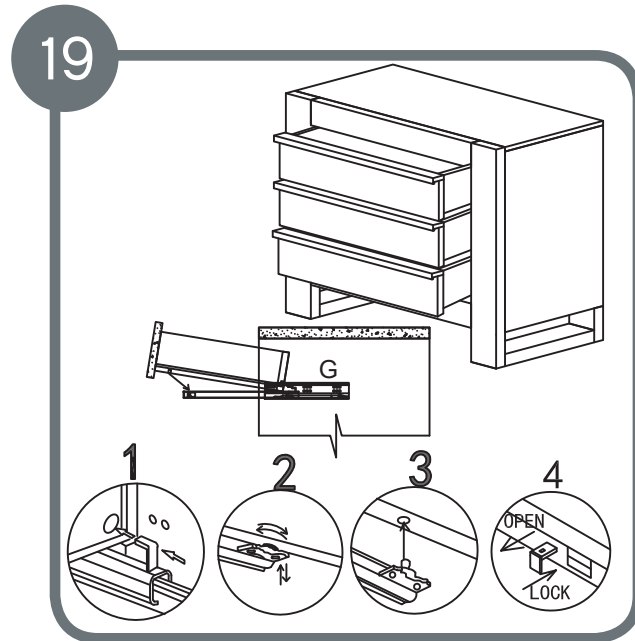


Assemble locking nuts 15 x B.

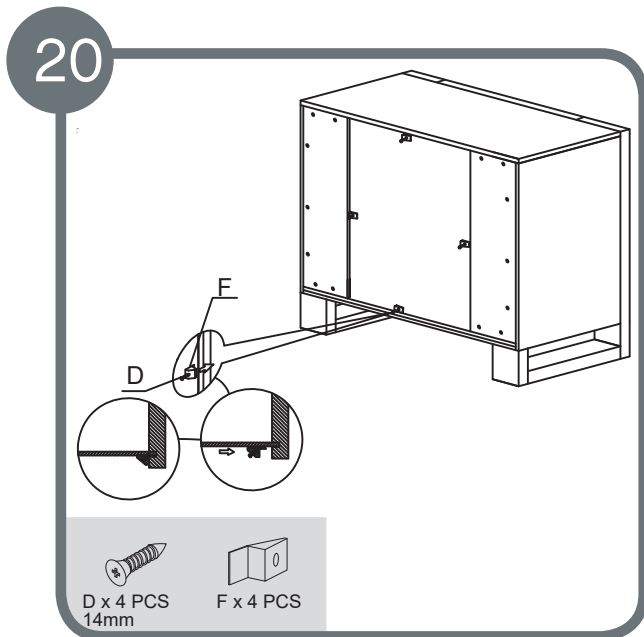
# Assembling into chest



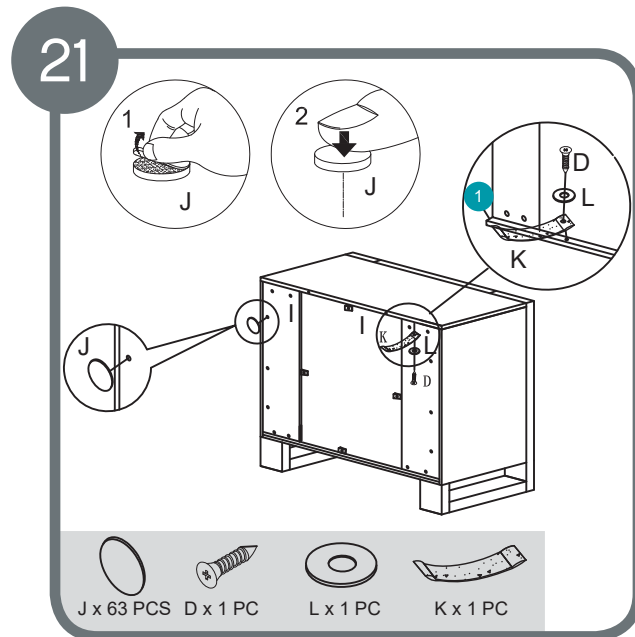
Assemble runners.



Assemble drawers.



Assemble back screws.

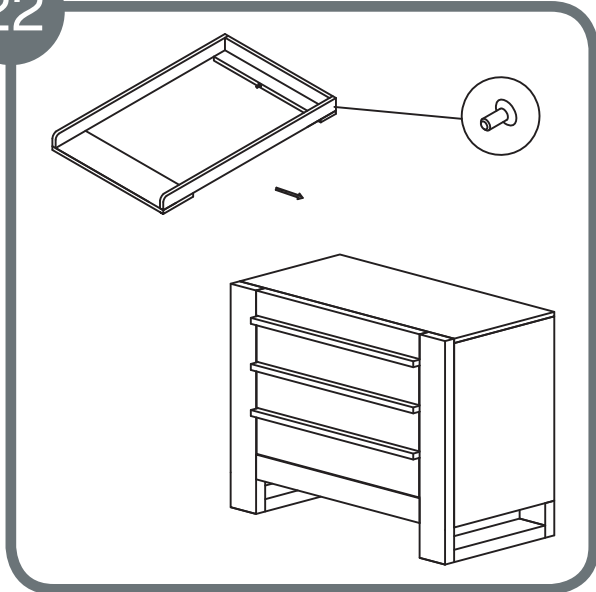


Assemble covers and Anti dumping belt.



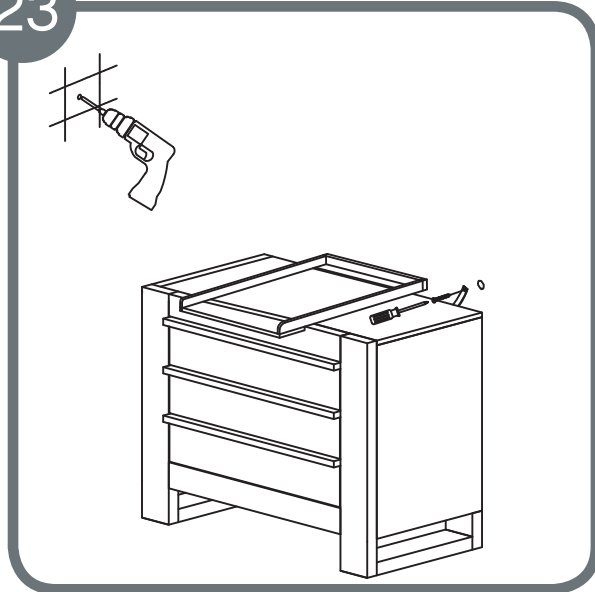
# Assembling into chest

22



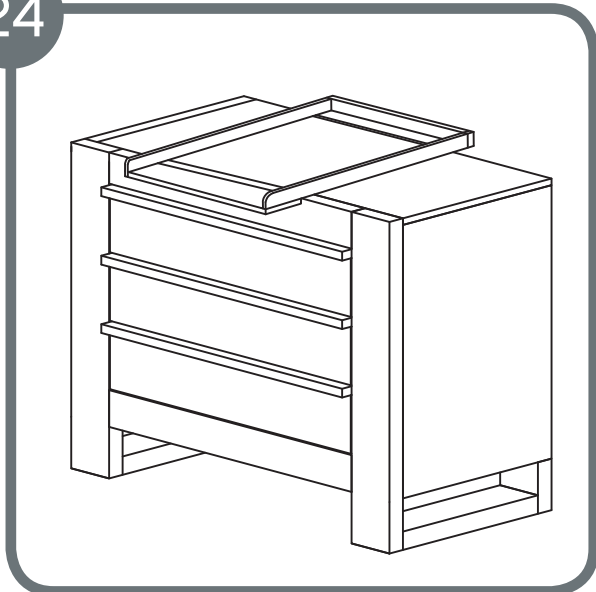
Assemble top shelf.

23



Fittings to attach the strap to the wall are not provided and suitable fittings for the wall type should be used.

24



Assemble finished.



# Safety advice and maintenance

## IMPORTANT! KEEP FOR FUTURE REFERENCE: READ CAREFULLY

1. WARNING: Never leave your child unattended. The safety of your child is your responsibility.
2. WARNING: Do not allow children to climb on the chest changer.
3. WARNING: Never leave your child unattended on the chest changer.
4. WARNING: Do not use the chest changer if it is damaged or broken or there are parts missing. Use only spare parts approved by Tutti Bambini.
5. WARNING: Do not place the chest changer in or near the vicinity of open fires or other surfaces of strong heat, such as gas or electric fires.
6. Always leave the chest changer clean and dry. Wipe away any spillage straight away. The chest changer can be cleaned with a clean damp cloth. Do not use aggressive cleaning agents such as bleach or strong detergents.
7. Check on a regular basis that all fittings and screws are correctly tightened and are not damaged. Loose screws can pinch parts of the body and clothing resulting in the risk of strangulation.
8. Do not twist or pivot the wardrobe, if the wardrobe is to be moved always lift with at least two people.
9. Maximum weight of the child 15 kg or maximum age to 12 months.

Product development dictates that components may occasionally differ from the ones shown in the diagrams of these instructions. The right to change the specifications and design of the furniture without prior notice remains with the manufacturer.

## Guarantee

All our products are produced from the finest quality materials and are manufactured under the strictest quality controls. We guarantee all our products or parts thereof against faulty manufacture for a period of one year from date of purchase. This guarantee is not effective against accidental damage or damage caused by incorrect use or neglect. This does not affect your statutory rights.

# Notes

---

---

---

---

---

---

---

---

---

---

---

---

---

---

---

---

---

---

---

---

---

---

---

---

---

---

---

---

---

---

# Join Us



Follow us on Facebook  
TuttiBambiniUK



Follow us on Twitter  
TuttiBambiniUK



Follow us on Instagram  
TuttiBambiniUK



[www.tuttibambini.com](http://www.tuttibambini.com)