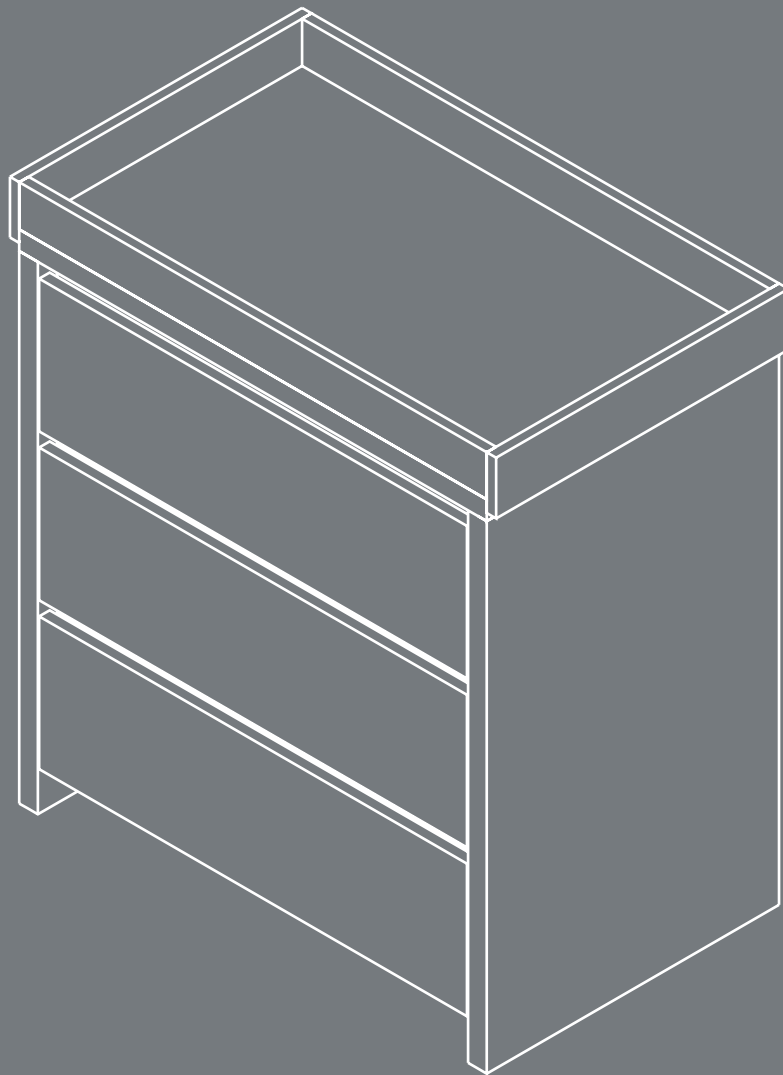


Modena

Chest Changer



Assembly Instructions

Conforms to BS EN 12221:2008+A1:2013

Tutti Frutti Direct Ltd. Unit 3, 1000 North Circular Road, London, UK, NW2 7JP

t: +44 (0) 208 368 5800

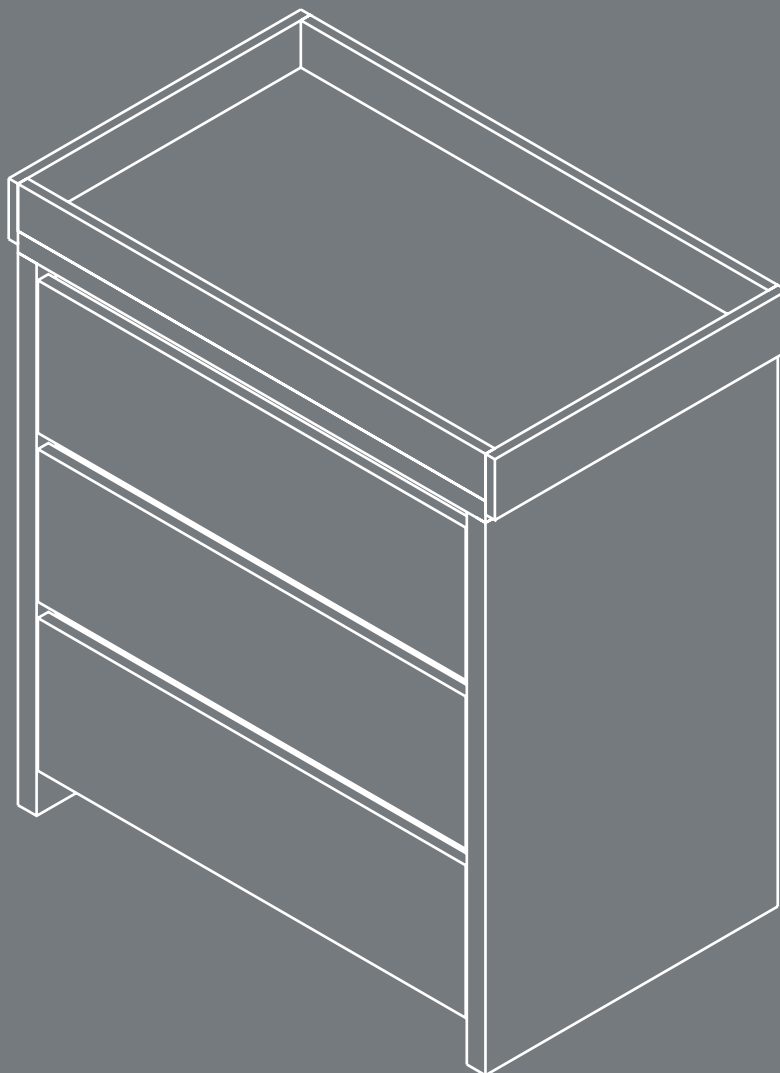
e: customerservice@tuttibambini.co.uk

www.tuttibambini.com

Modena

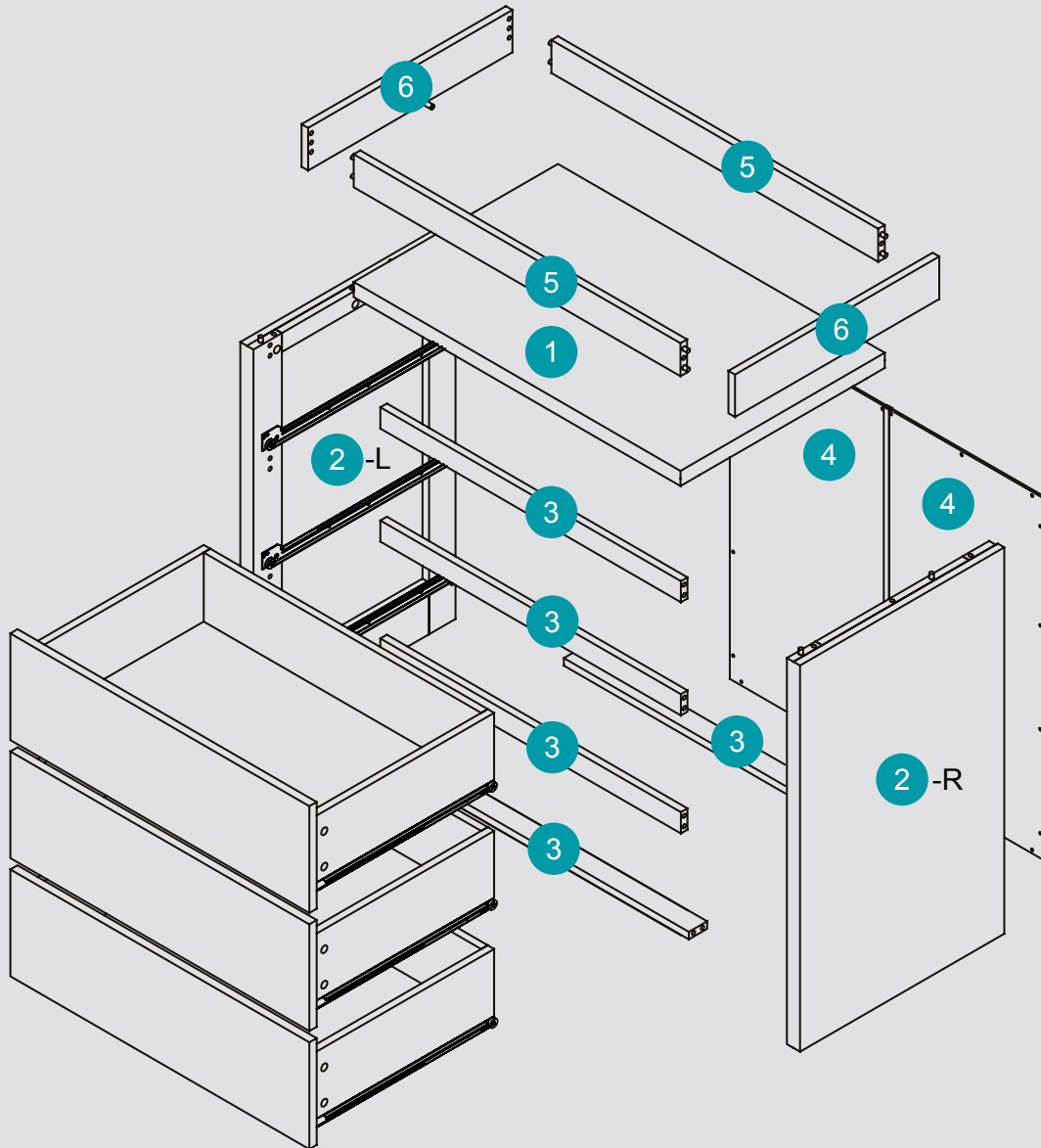
Chest Changer

211437


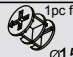
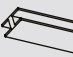



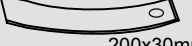


IMPORTANT: RETAIN FOR FUTURE REFERENCE. READ CAREFULLY

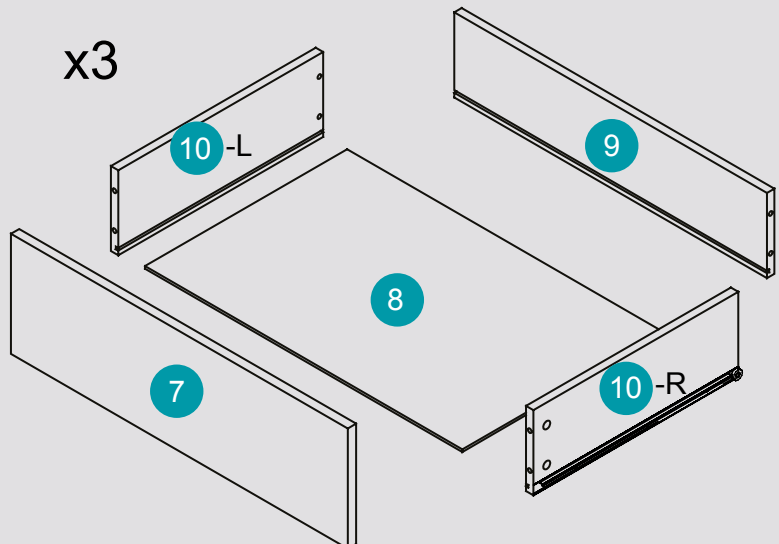
Parts List



Hardware List

ID#		Qty
A	 $\varnothing 6.5 \times 40 \text{mm}$ 1 pc for replacement	55 pc
B	 $\varnothing 15 \times 11.5 \text{mm}$	56 pc
C	 750mm	1 pc
D	 $\varnothing 3.5 \times 14 \text{mm}$	18 pc
E	 $\varnothing 4 \times 16 \text{mm}$	1 pc
F	 $\varnothing 10 / 6 \text{mm}$	1 pc
G	 200x30mm	1 pc

x3



Hello,

PLEASE READ THIS LEAFLET BEFORE ASSEMBLY

Dear Customer,

Thankyou for buying Tutti Bambini furniture. Follow the instructions carefully and check that you have all the elements including the fittings before attempting assembly. If there are any missing or damaged parts, please inform us before you start the assembly. Please note that incorrect assembly of your furniture will not be a basis for a claim against the product being damaged.

In the unlikely event that your furniture is found to be faulty, we ask that you send an email to: customerservice@tuttibambini.co.uk with the following information that can be found on the white label on the outside parcel.

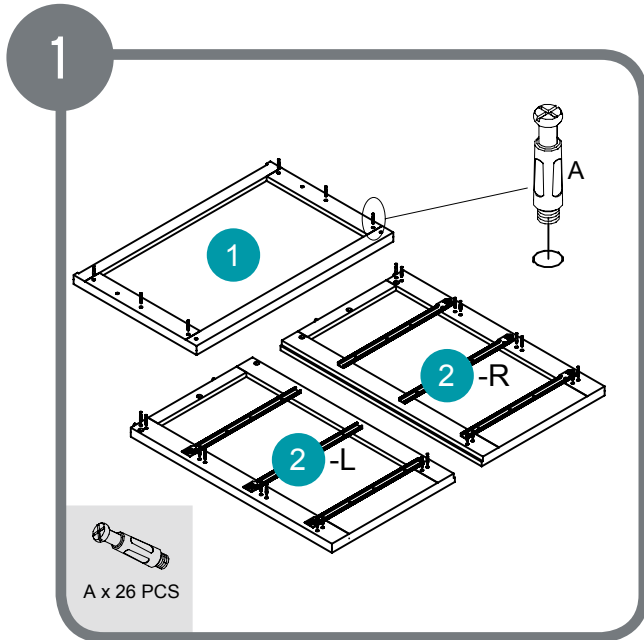
- Name
- Postcode
- Contact telephone number
- Sales order number (found on white label)
 - Product name & colour
 - Damaged part number
- A photo or video of the damaged part

Tutti Bambini guarantee your product against faulty manufacture for a period of 12 months from date of receipt of purchase. This does not affect your statutory rights.

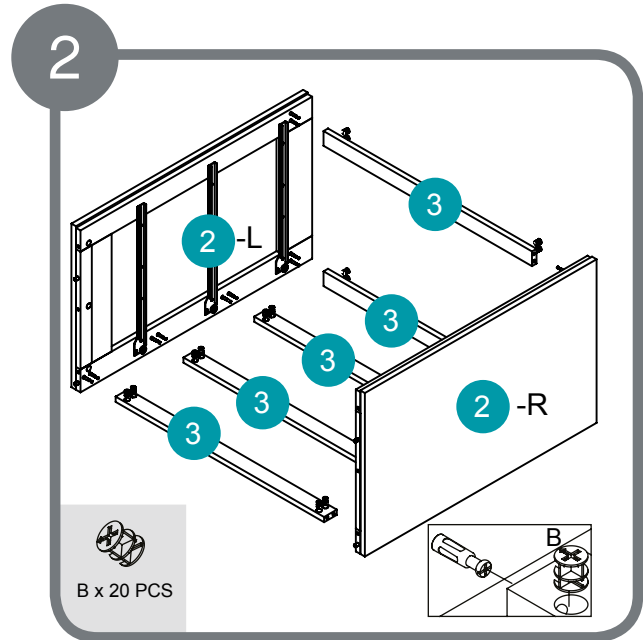
Team Tutti



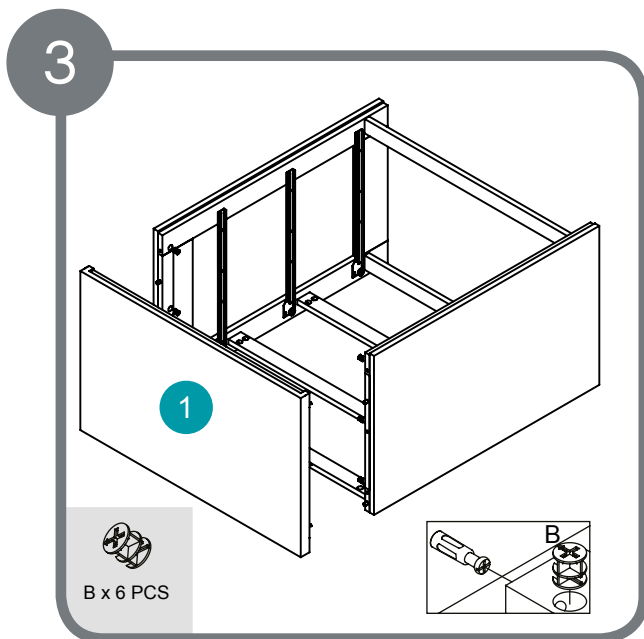
Assembling into chest



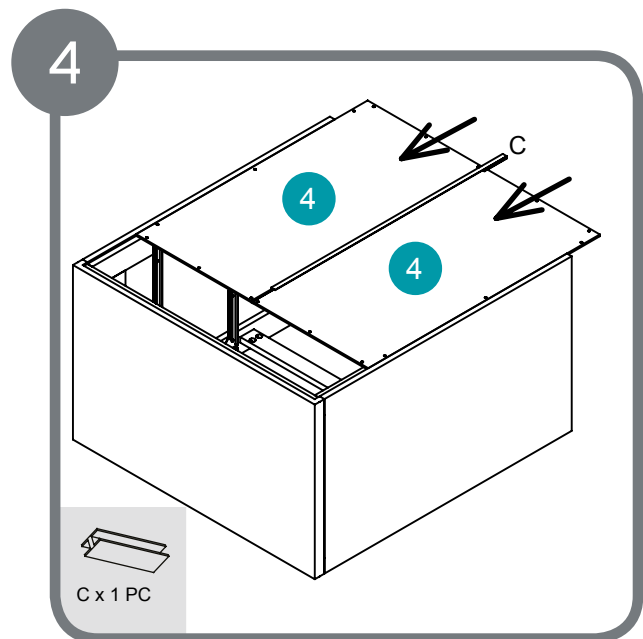
Screw metal pins into top and side



Assemble support bar to 2 side panels using 20 x B locking nuts

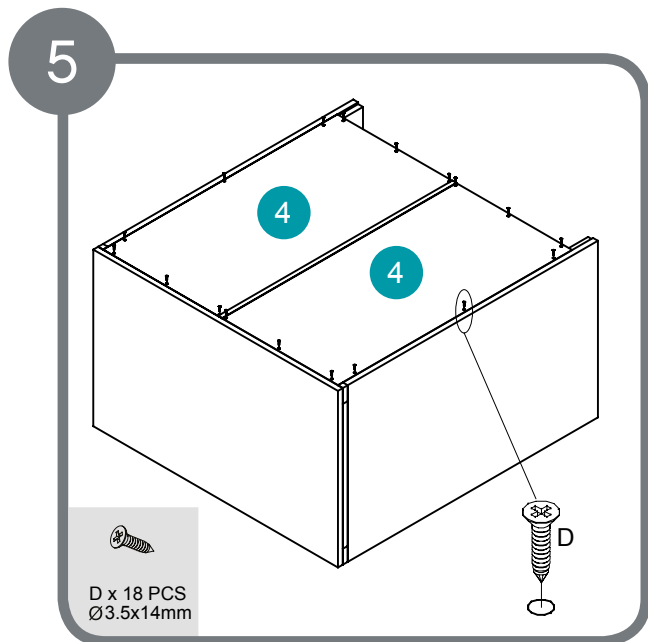


Assemble top to frame using 6 x B locking nuts

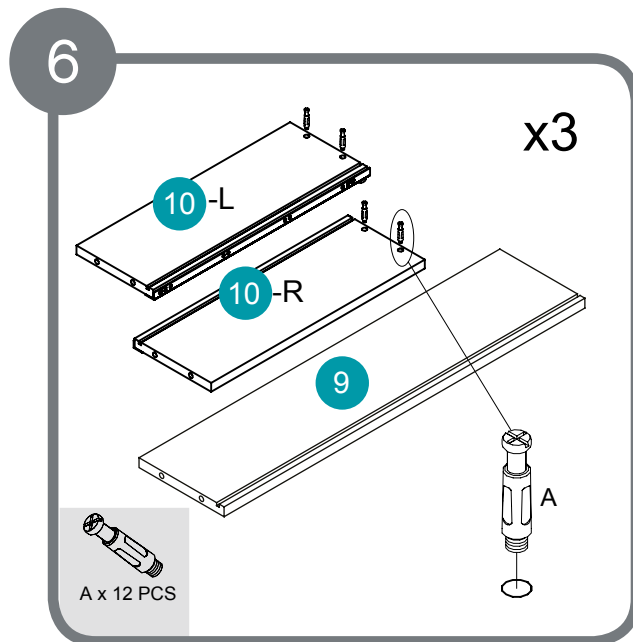


Connect two backs with H-slat, attach to the frame

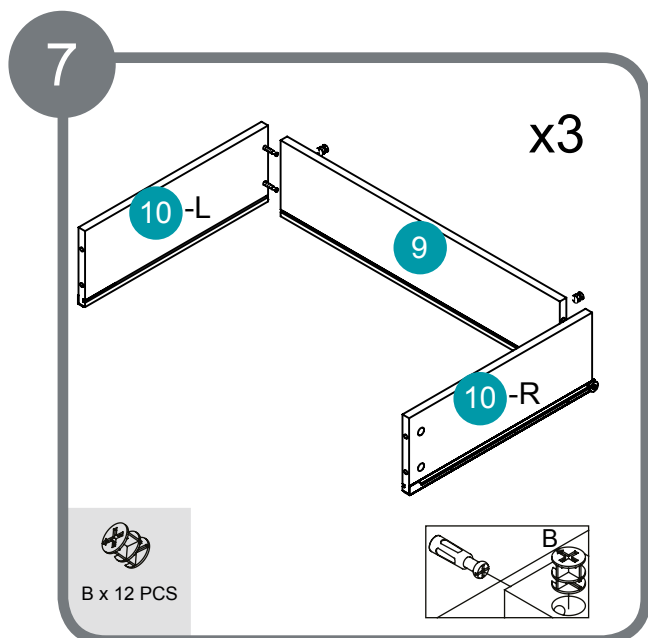
Assembling into chest



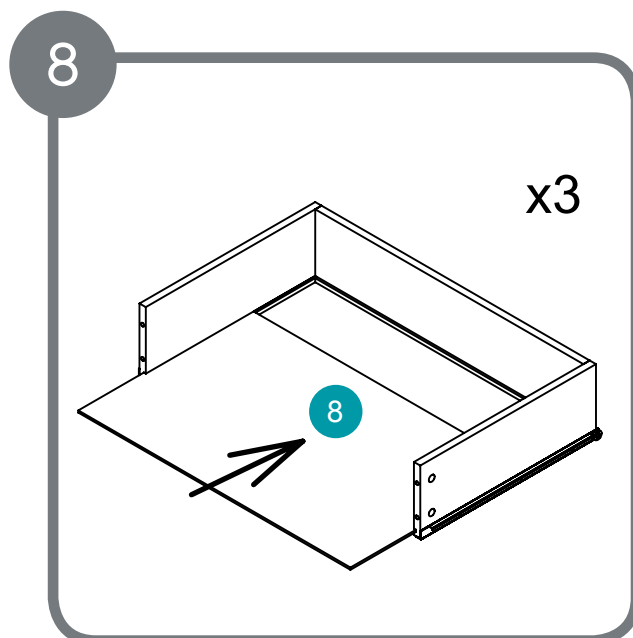
Assemble back using 18 x D screws



Screw metal pins into drawer side

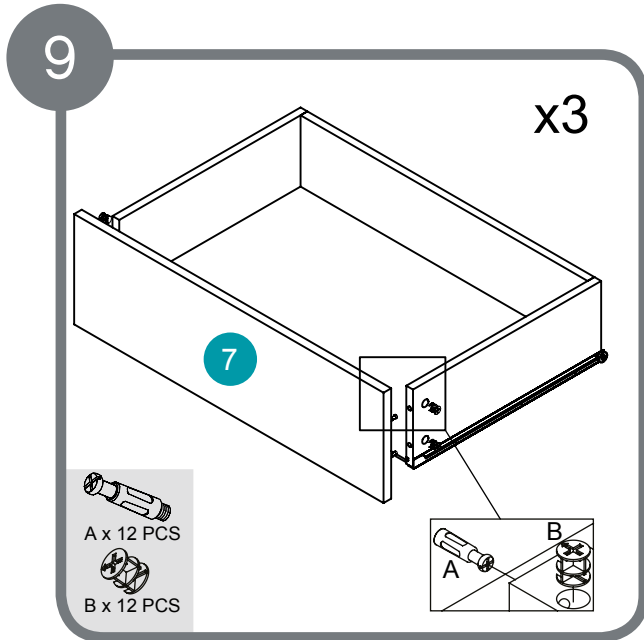


Assemble two drawer sides to drawer back using 12 x B locking nuts

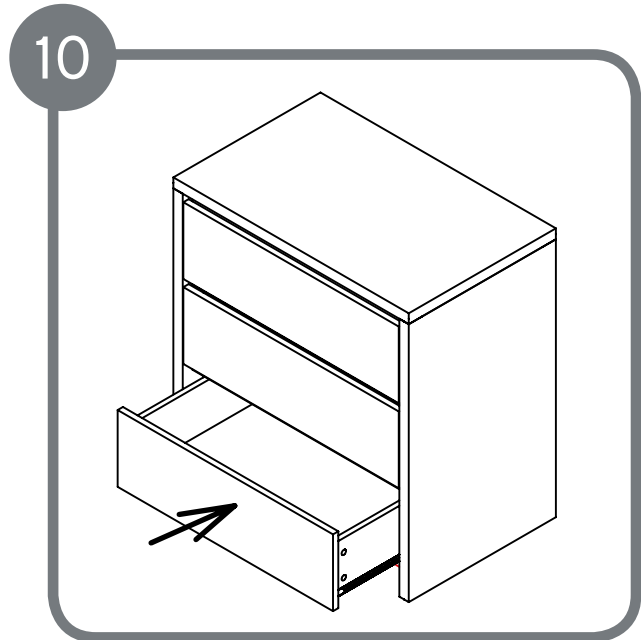


Slide drawer bottom into the grooves

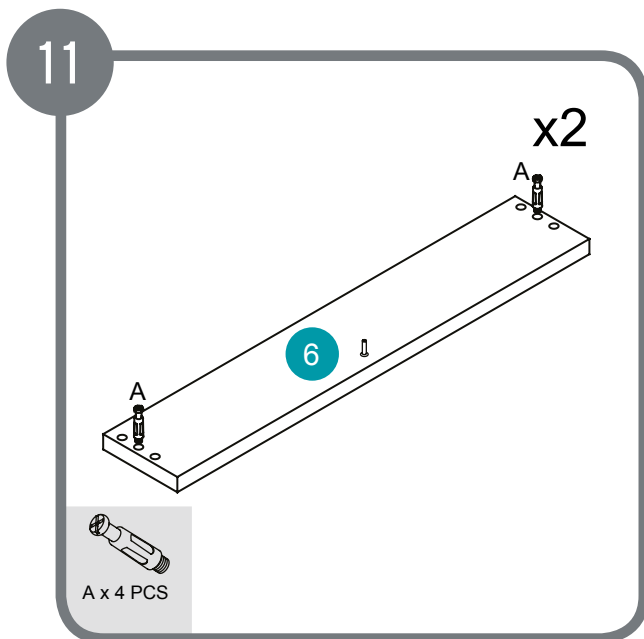
Assembling into chest



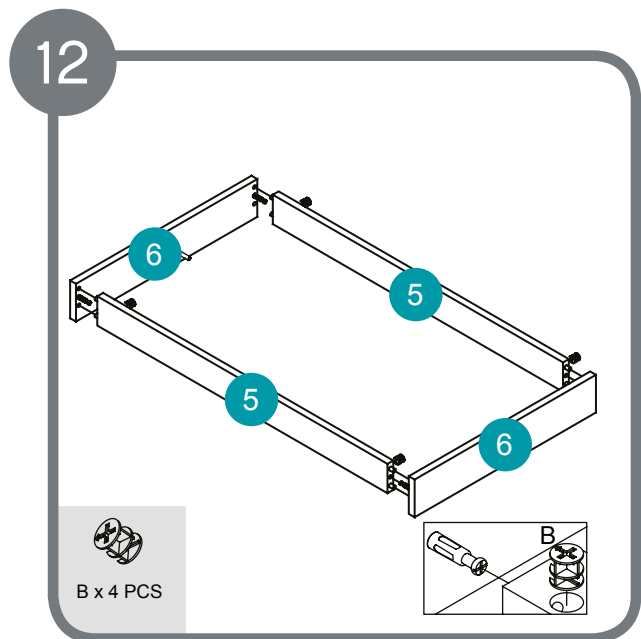
Assemble drawer front to drawer frame using 12 x A metal pins and 12 x B locking nuts



Slide the drawers onto runners

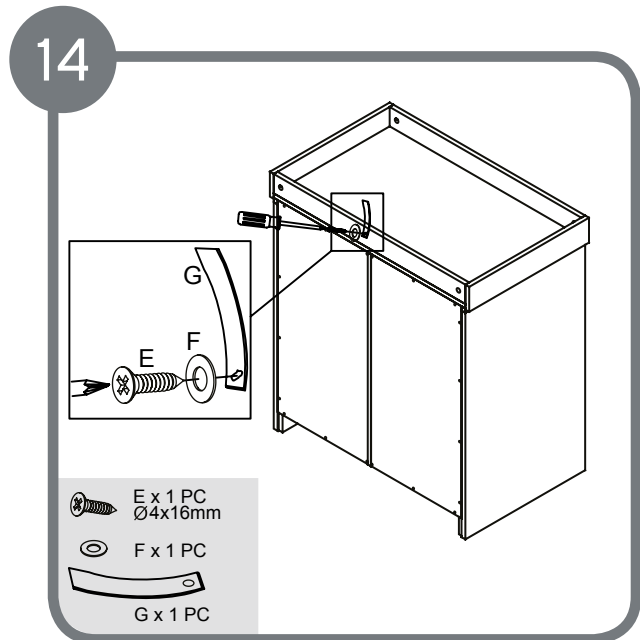
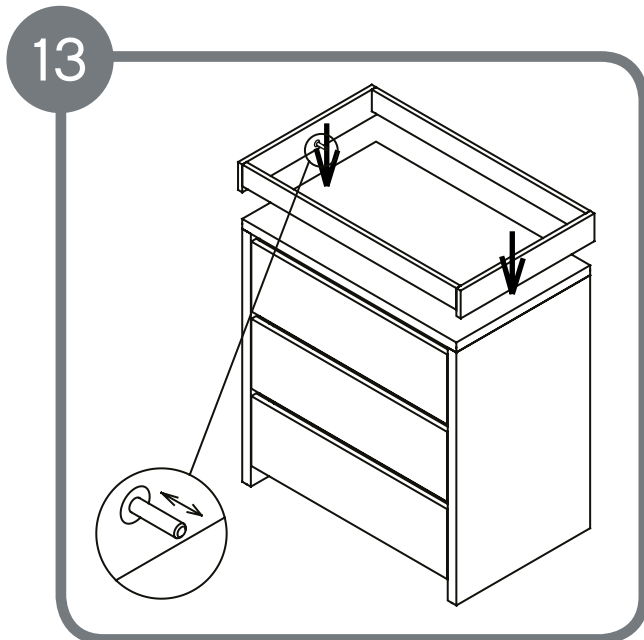


Screw metal pins into short top support bars

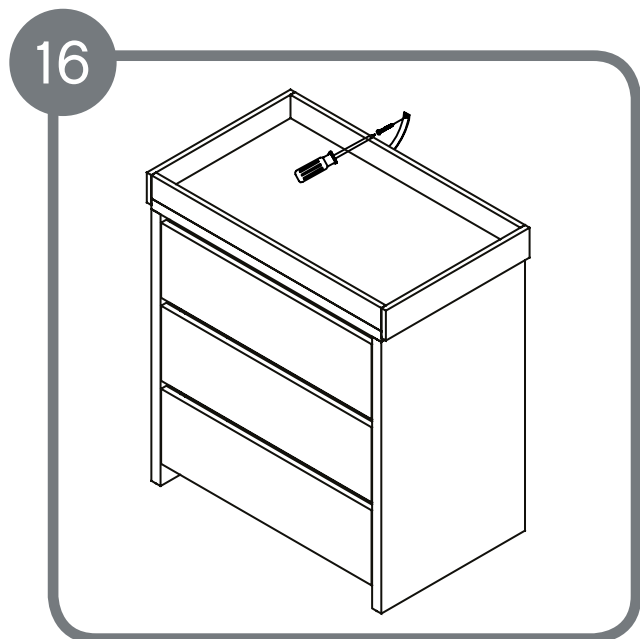
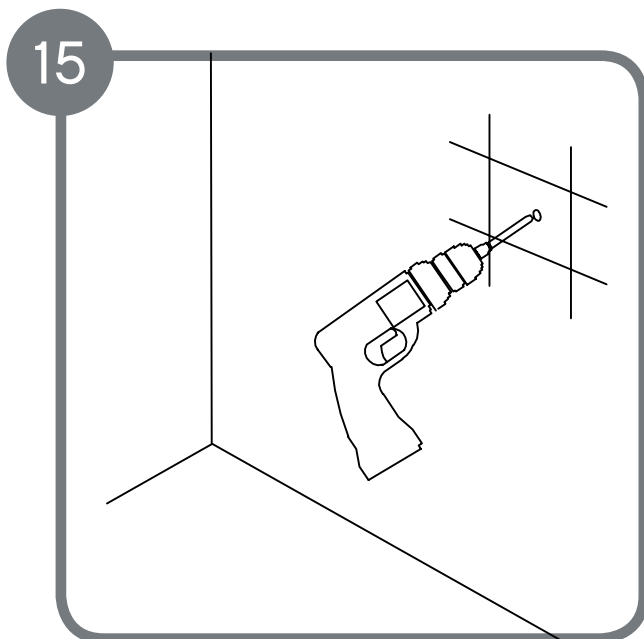


Assemble 2 short top support bars to long rails using 4 x D locking nuts

Assembling into chest



Assemble top frame to cabinet body



Fittings to attach the strap to the wall are not provided and suitable fittings for the wall type should be used. Caution: The drawer is not provided with end stops that prevent it from being pulled out of the unit

Safety advice and maintenance

IMPORTANT! KEEP FOR FUTURE REFERENCE: READ CAREFULLY

1. WARNING: Never leave your child unattended. The safety of your child is your responsibility.
2. WARNING: Do not allow children to climb on the chest changer.
3. WARNING: Never leave your child unattended on the chest changer.
4. WARNING: Do not use the chest changer if it is damaged or broken or there are parts missing. Use only spare parts approved by Tutti Bambini.
5. WARNING: Do not place the chest changer in or near the vicinity of open fires or other surfaces of strong heat, such as gas or electric fires.
6. Always leave the chest changer clean and dry. Wipe away any spillage straight away. The chest changer may be cleaned with a damp cloth. Do not use aggressive cleaning agents such as bleach or strong detergents.
7. Check on a regular basis that all fittings and screws are correctly tightened and are not damaged. Loose screws can pinch parts of the body and clothing resulting in the risk of strangulation.
8. Do not twist or pivot the chest changer, if it is to be moved always lift with two people.
9. Maximum weight / age of the child for use with the chest changer is 15kg, or 12 months.

Product development dictates that components may occasionally differ from the ones shown in the diagrams of these instructions. The right to change the specifications and design of the furniture without prior notice remains with the manufacturer.

Guarantee

All our products are produced from the finest quality materials and are manufactured under the strictest quality controls. We guarantee all our products or parts thereof against faulty manufacture for a period of one year from date of purchase. This guarantee is not effective against accidental damage or damage caused by incorrect use or neglect. This does not affect your statutory rights.

Join Us



Follow us on Facebook
TuttiBambiniUK



Follow us on Twitter
TuttiBambiniUK



Follow us on Instagram
TuttiBambiniUK



www.tuttibambini.com