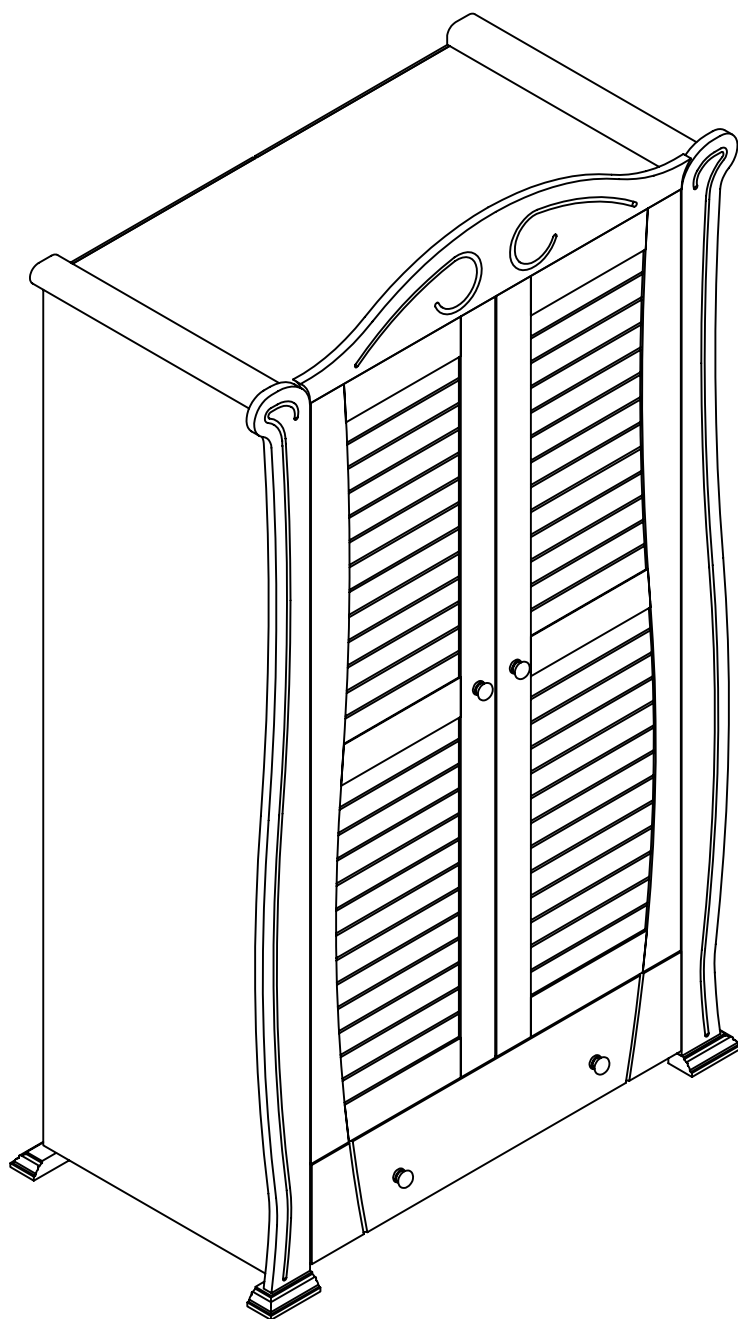


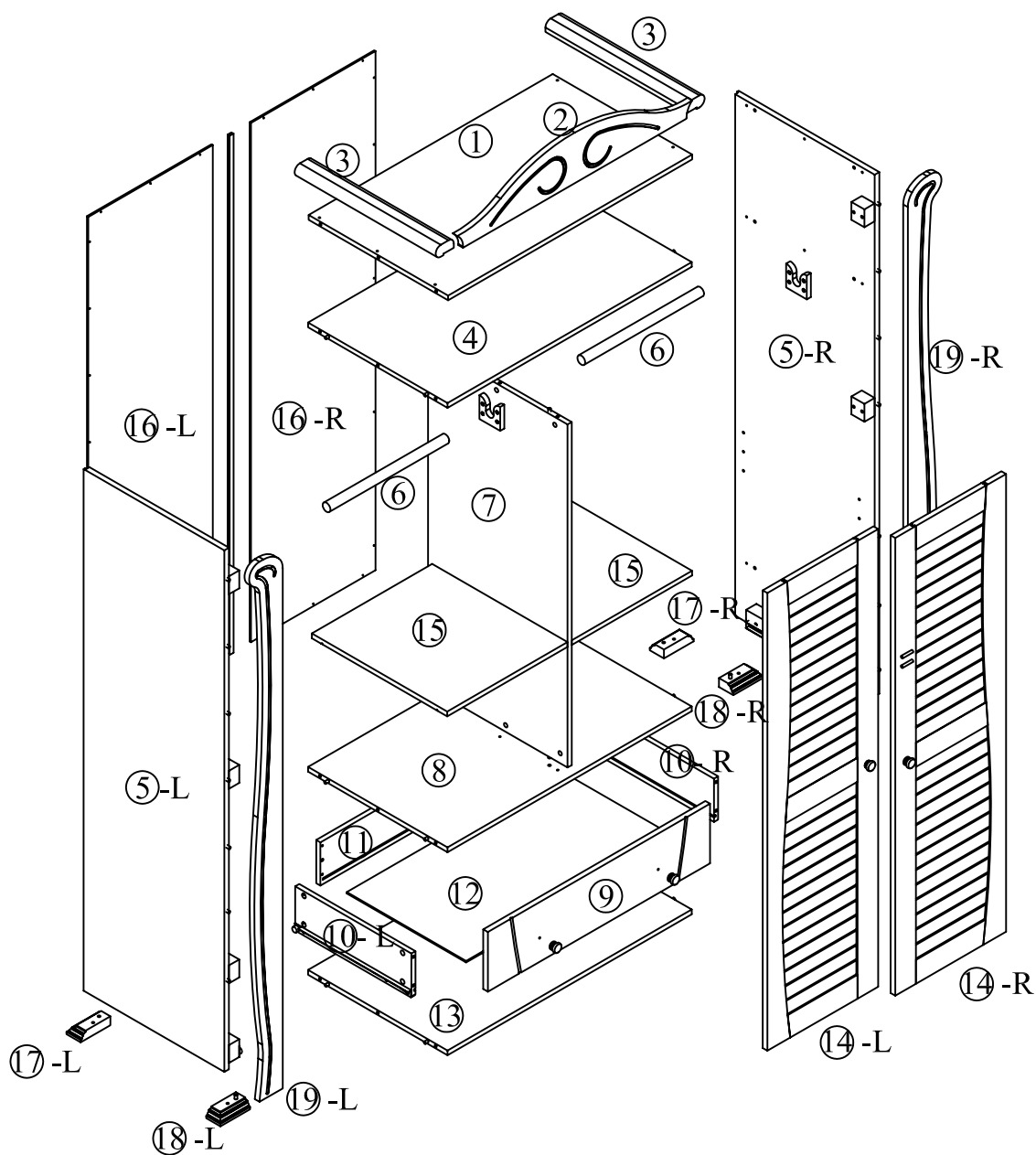


MARIE WARDROBE Assembly Instruction




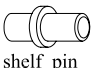

Code: 211350








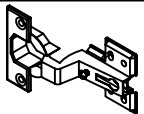
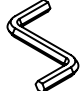
Parts list



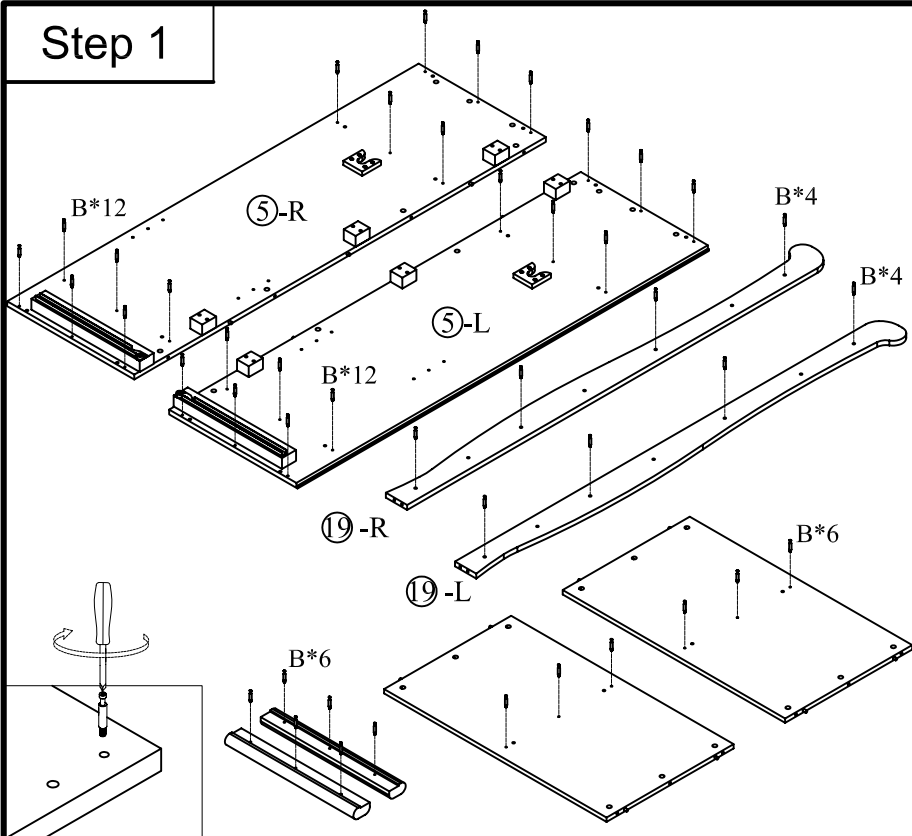
Hardware list

ID # A	 M6*40MM Bolt	Qty 6pc
ID # B	 1 pc for replacement Pin	Qty 53 pc
ID # C	 1 pc for replacement Bam	Qty 53 pc
ID # D	 shelf pin	Qty 8 pc
ID # E	 5MM Plastic Channel	Qty 1 pc

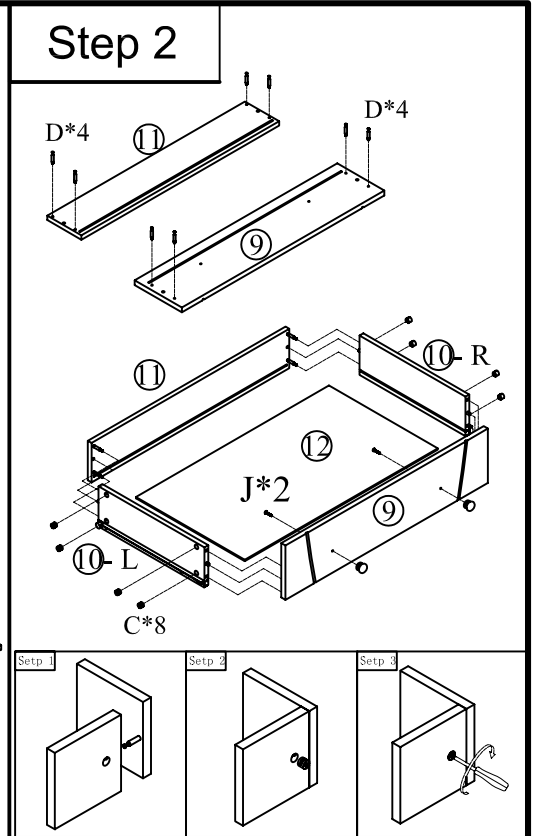
ID # F	 1 pc for replacement M3*16MM Screw	Qty 49 pc
ID # G	 D6*35MM	Qty 2 pc
ID # H	 D6*25MM	Qty 2 pc
ID # I	 Magnetic catches	Qty 4 pc

ID # J	 M4*22 Wood Handle	Qty 4 pc
ID # K	 Hinge	Qty 6sets
ID # L	 Allen Key	Qty 1 pc

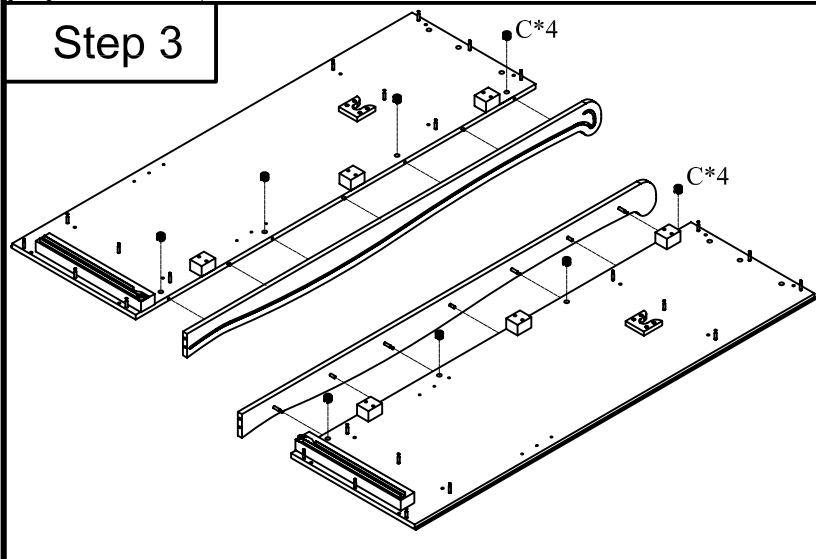
Step 1



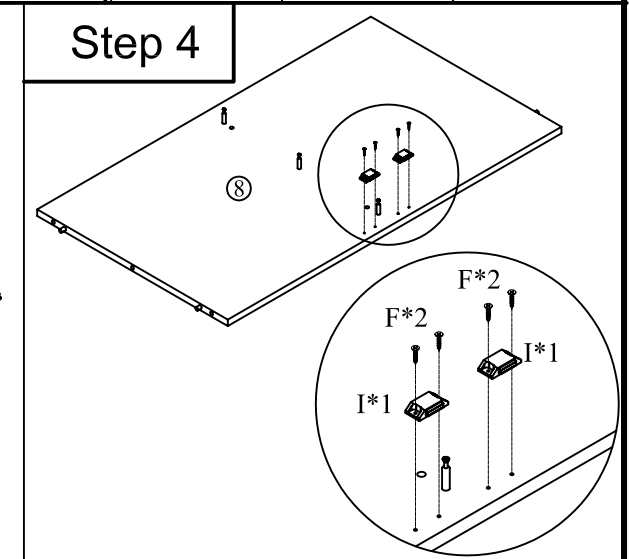
Step 2



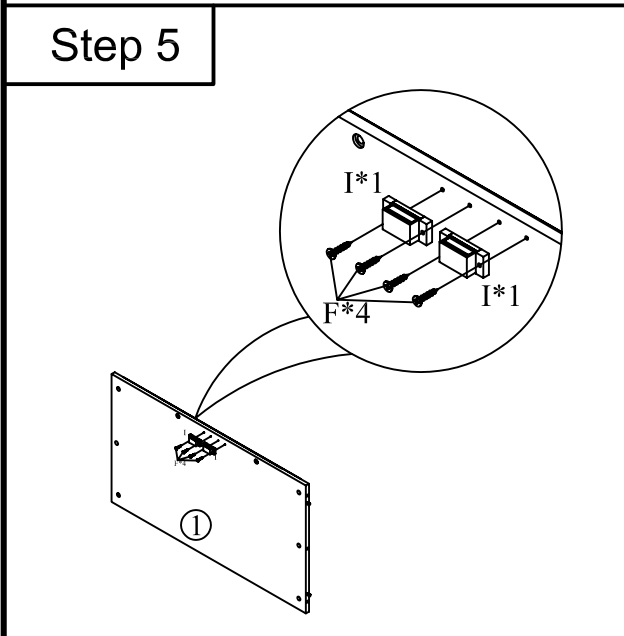
Step 3



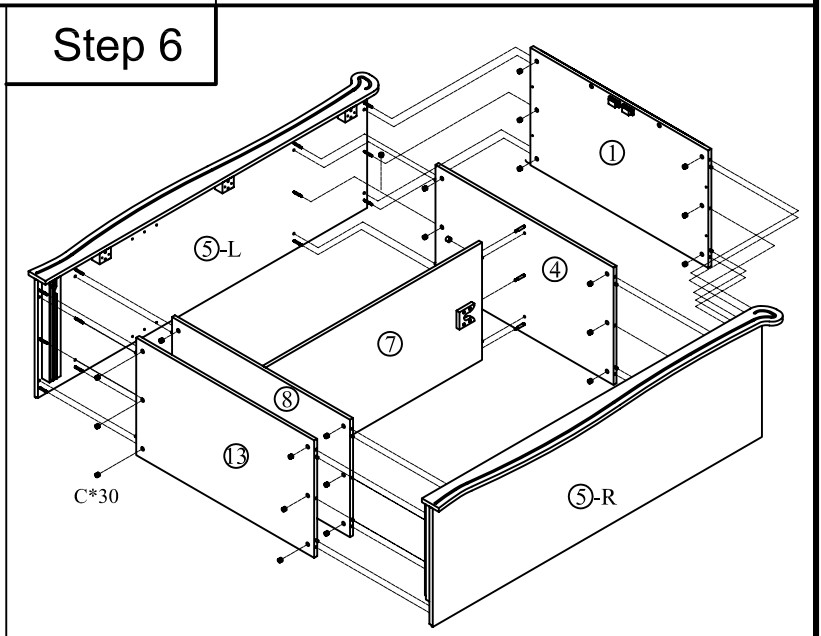
Step 4



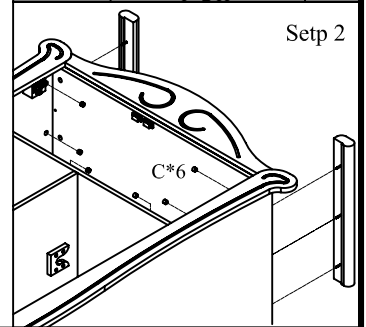
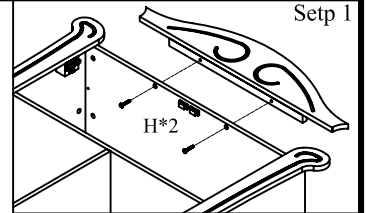
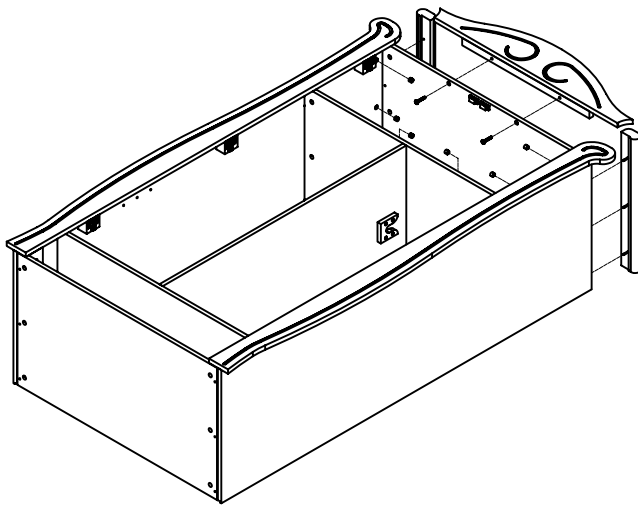
Step 5



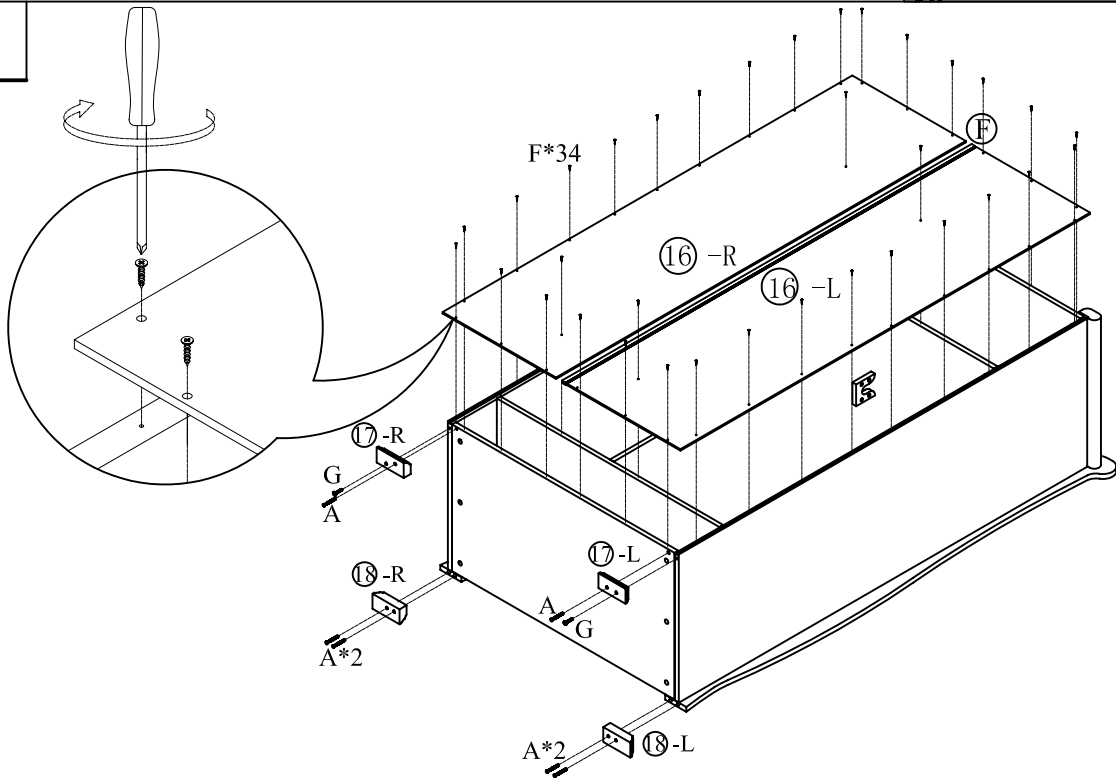
Step 6



Step 7



Step 8



Step 9

