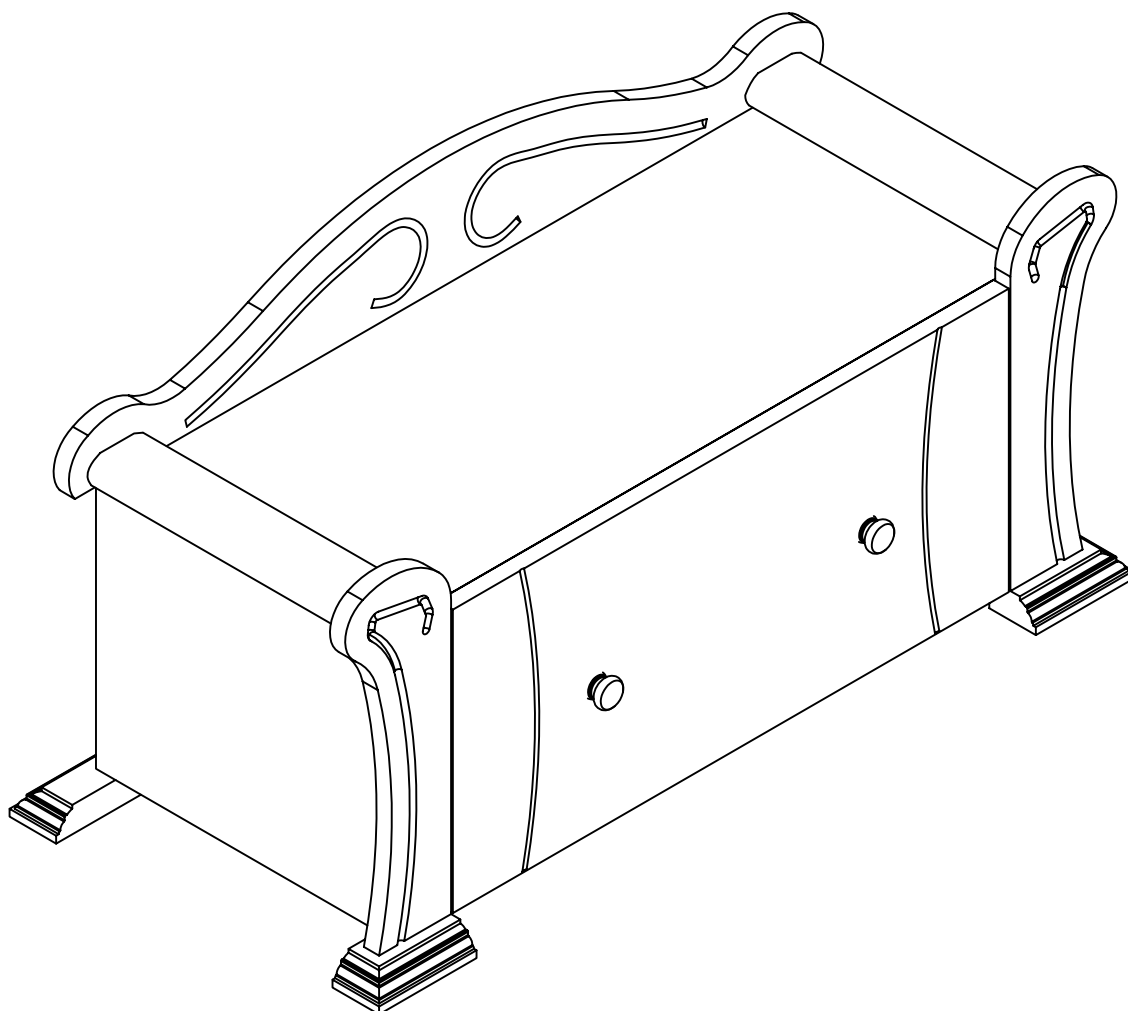




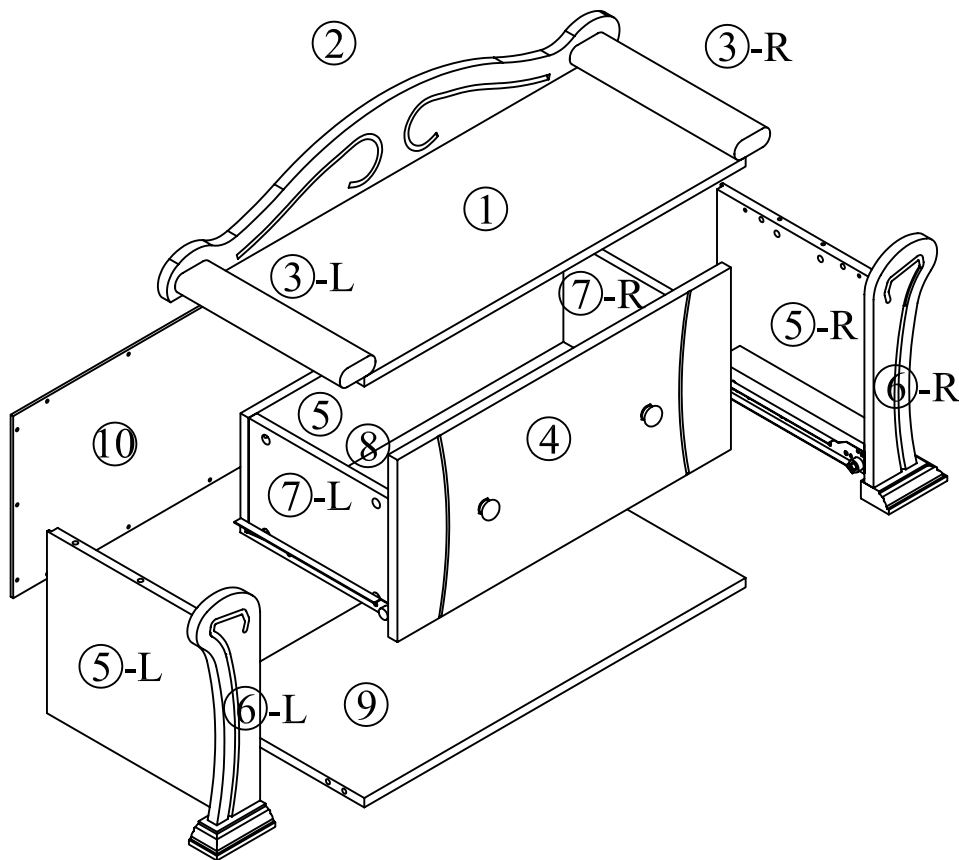
MARIE TOY BOX

Assembly Instruction





Code: 211750

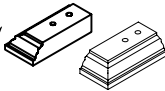

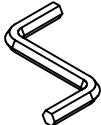



Parts list

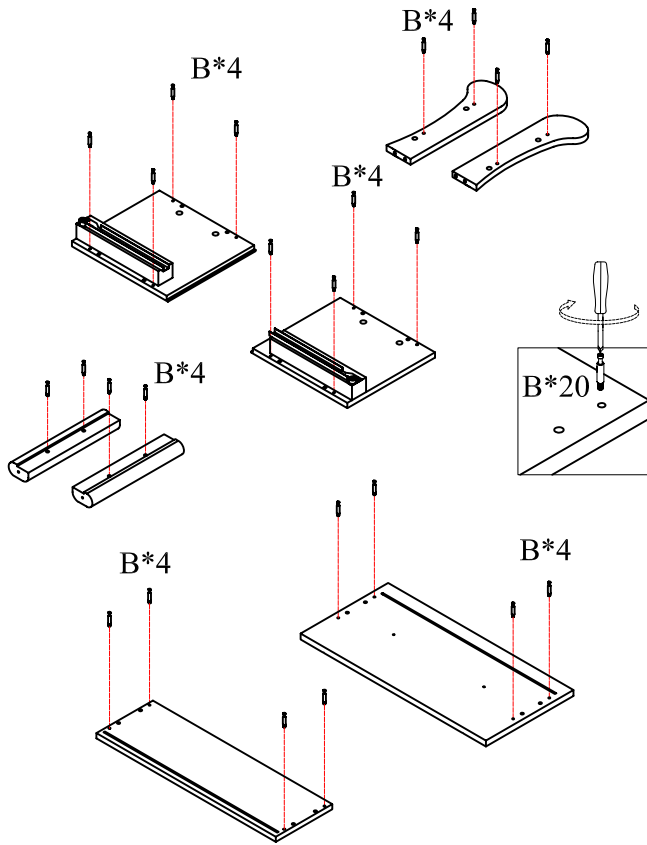


Hardware list

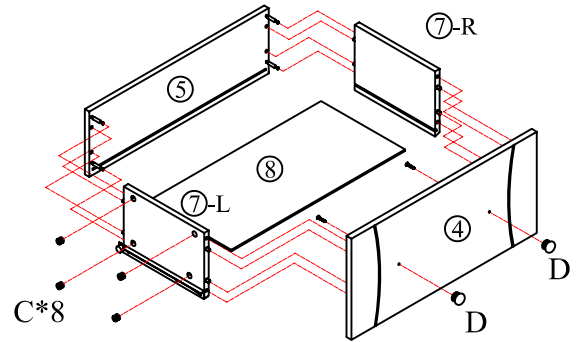
ID # A	 M6*40MM	Qty 11 pc
ID # B		Qty 24 pc
ID # C		Qty 25 pc
ID # D	 M4*22	Qty 2 pc

ID # E	 R-2 L-2	Qty 2 pc
ID # F	 M3*16MM	Qty 12 pc
ID # G		Qty 1 pc
ID # H		Qty 2 pc

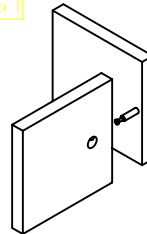
Step 1



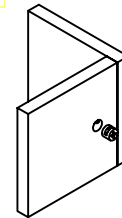
Step 2



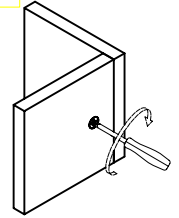
Setp 1



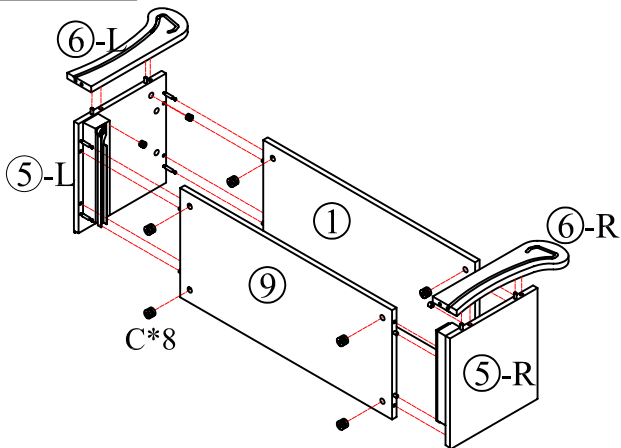
Setp 2



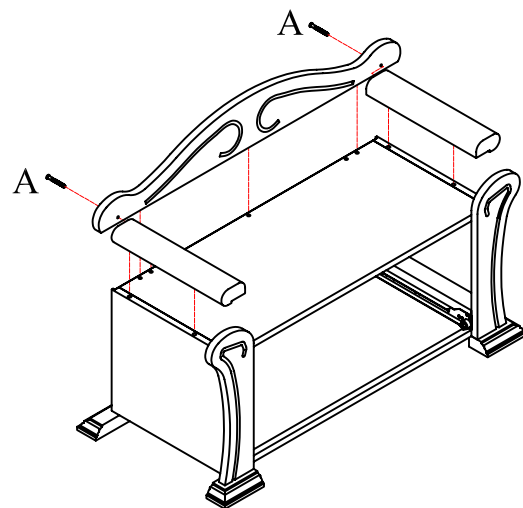
Setp 3



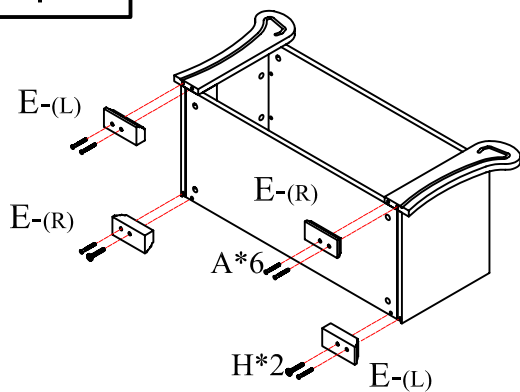
Step 3



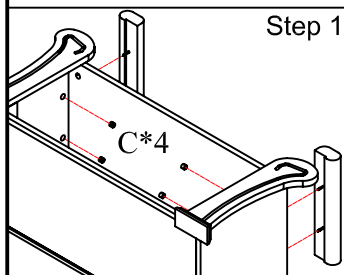
Step 5



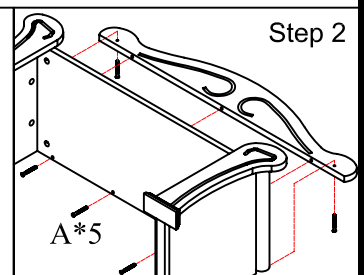
Step 4



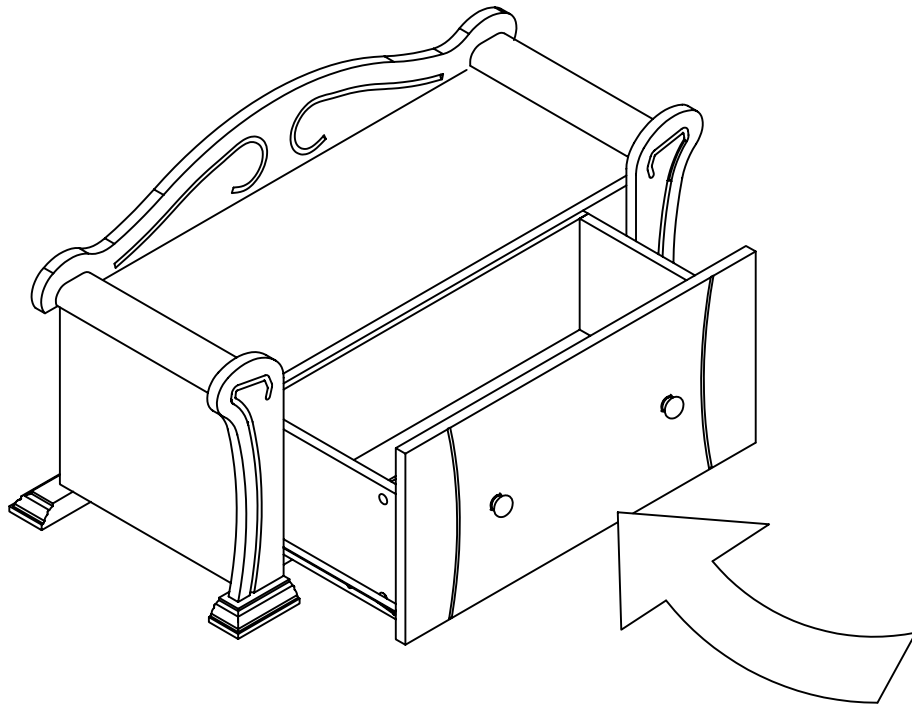
Step 1



Step 2



Step 6



Step 7

